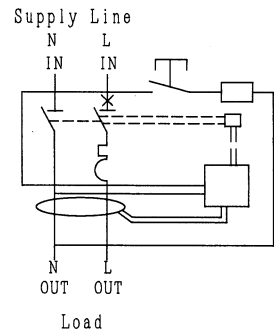
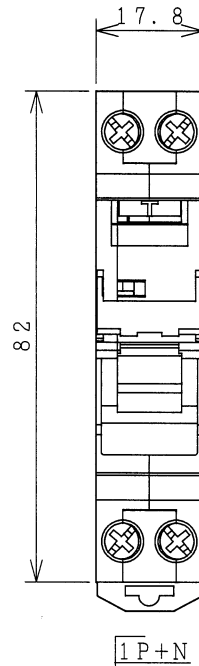
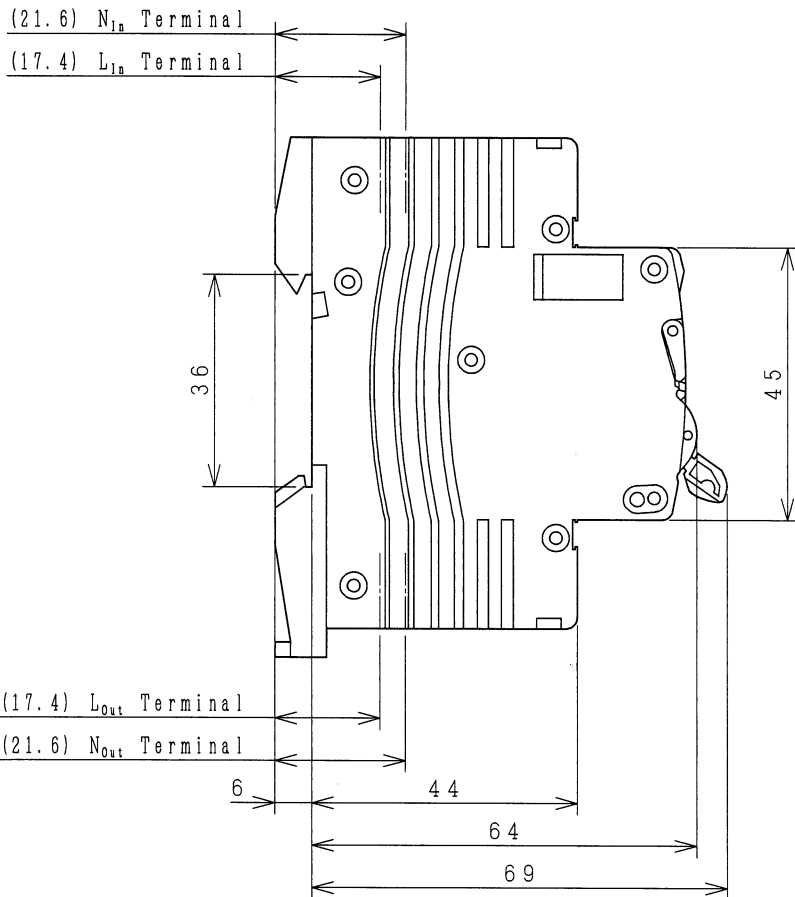


HITACHI RESIDUAL CURRENT CIRCUIT BREAKER WITH OVERLOAD PROTECTION

Type	Poles	IEC 61009 Rated Breaking capacity [kA] 240V 50Hz	Rated Current [A]	Rated Sensitivity current [mA]	Weight
RKC32	1P+N	6 (4.5)	6 10 16 20 25 (32) A	30 mA	0.12 kg



WIRING DIAGRAM

DWN.	O. SITTICHAJ	28/06/21	PROJECTION	TITLE
CHKD.	<i>C. Chontichai</i> <i>H. Somkiat</i>	S	SCALE	DIMENSION OF RKC32
APPD.	<i>S. Suga</i>		NTS.	
HITACHI Hitachi Industrial Technology (Thailand), Ltd.				HIT WORKS DWG. No. 4HTN001307
※REMARK -DIMENSION UNIT = Millimeter (mm).				REV. 00 SH. 01 01