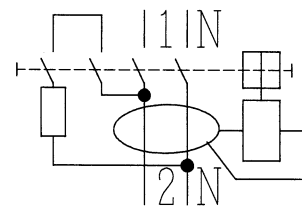
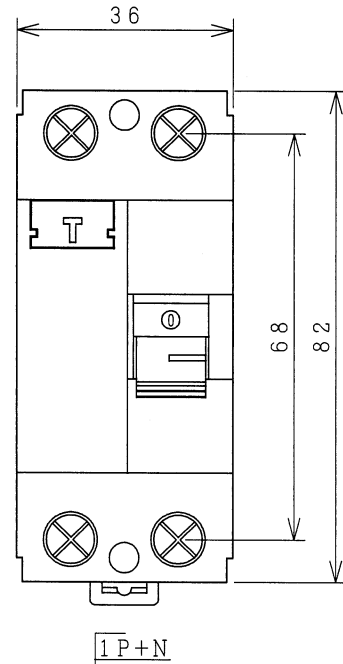
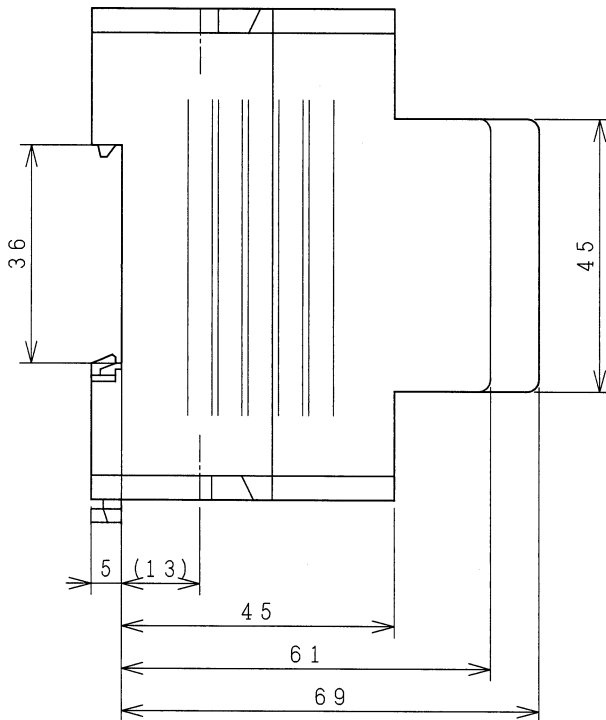


HITACHI RESIDUAL CURRENT CIRCUIT BREAKER

Type	Poles	IEC 61008 Rated Breaking capacity [kA] 240V 50Hz	Rated Current [A]	Rated Sensitivity current [mA]	Weight
RK63	1P+N	6	25 32 40 63 A	30 mA	0.20 kg



WIRING DIAGRAM

REMARK
-DIMENSION UNIT = Millimeter (mm).

DWN.	O. SITTICHAJ	28/06/21	PROJECTION	TITLE
CHKD.	C. Chonticha M. Sombhat		SCALE	DIMENSION OF RK63
APPD.	S. Sugar		NTS.	
HITACHI Hitachi Industrial Technology (Thailand), Ltd.				HITT WORKS DWG. No.
				4HTN001306
				REV.
				00
				SH.
				01
				01