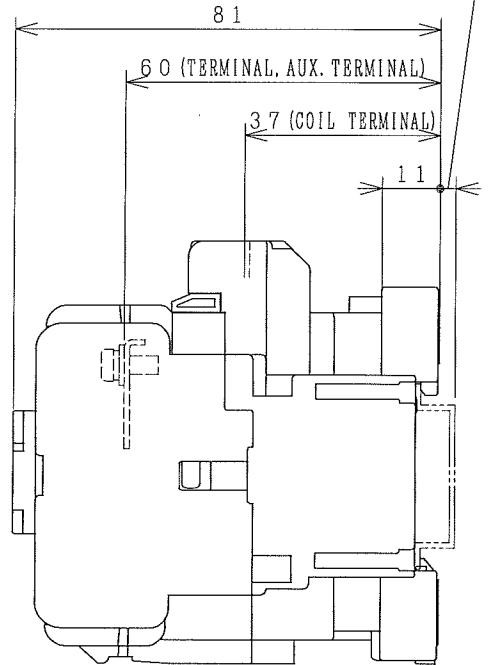
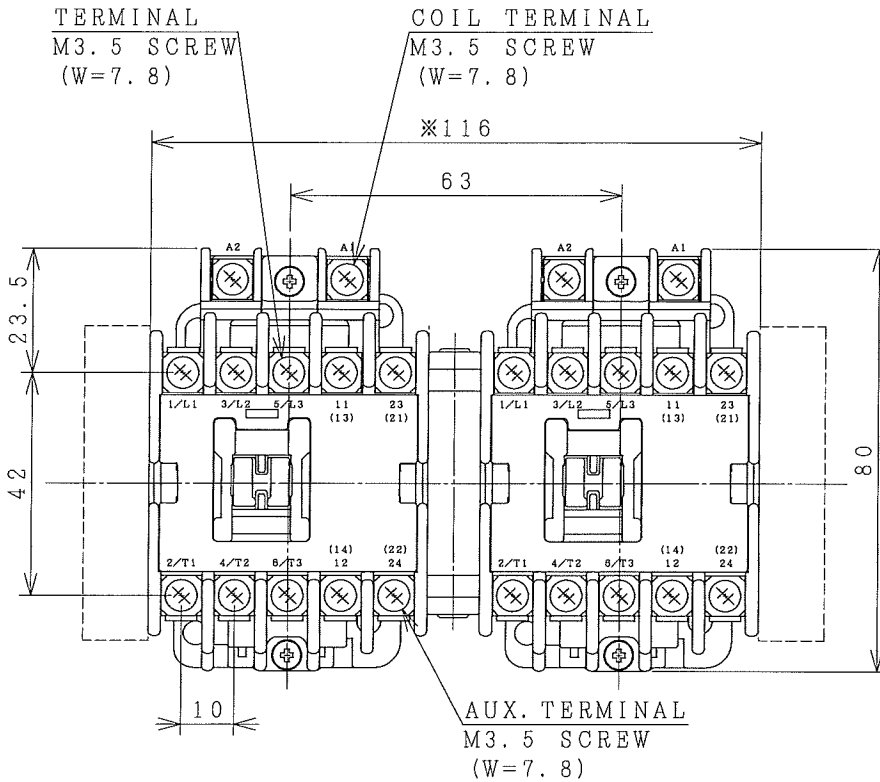


# HITACHI ELECTROMAGNETIC CONTACTOR

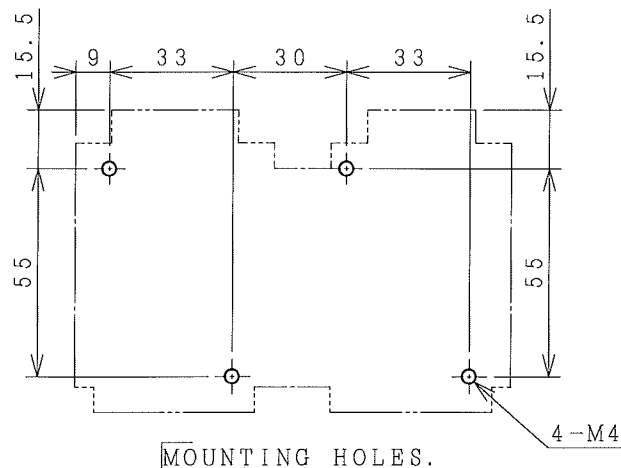
Type	Rated insulation voltage (Ui)	Max. rated capacity of motor			Rated thermal current (AC1 = Ith)	Applicable standard	Aux. Contact	Weight
		240V	3.5kW	13A				
HS11-R	690 V	440V	5.5kW	12A	20 A	IEC 60947-4-1	1a1b x 2 OR 2a x 2 OR 2b x 2	0.78 kg
		240V	3.5kW	13A				

※WITH AUX. CONTACT SIDE ON UNIT = 142mm.

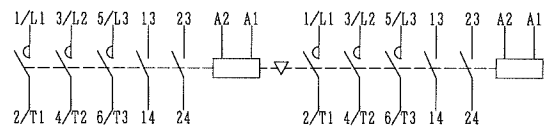
3 (DIN RAIL OF HEIGHT 7.5)



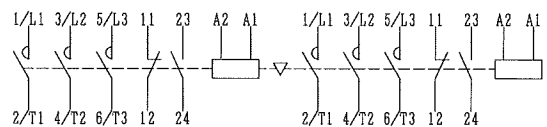
OUTLINE DIMENSIONS.



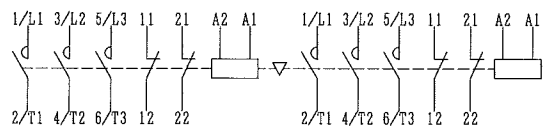
MOUNTING HOLES.



AUX. CONTACTS : 2a x 2



AUX. CONTACTS : 1a1b x 2



AUX. CONTACTS : 2b x 2  
CONTACTS ARRANGEMENT.

※REMARK

- DIMENSION UNIT = Millimeter (mm).
- (a) = AUX. CONTACT NORMALLY OPENED.
- (b) = AUX. CONTACT NORMALLY CLOSED.
- (W=) : WIDTH OF TERMINAL.

DWN. O. SITTICHAJ	27/07/18	PROJECTION	TITLE
CHKD. J. Jomke			DIMENSION OF HS11-R
APPD. S. Sugai		SCALE NTS.	
HITACHI Hitachi Industrial Technology (Thailand), Ltd.			
HITT WORKS DWG. No.			REV.
4HTN001144			00
			SH.
			01
			01