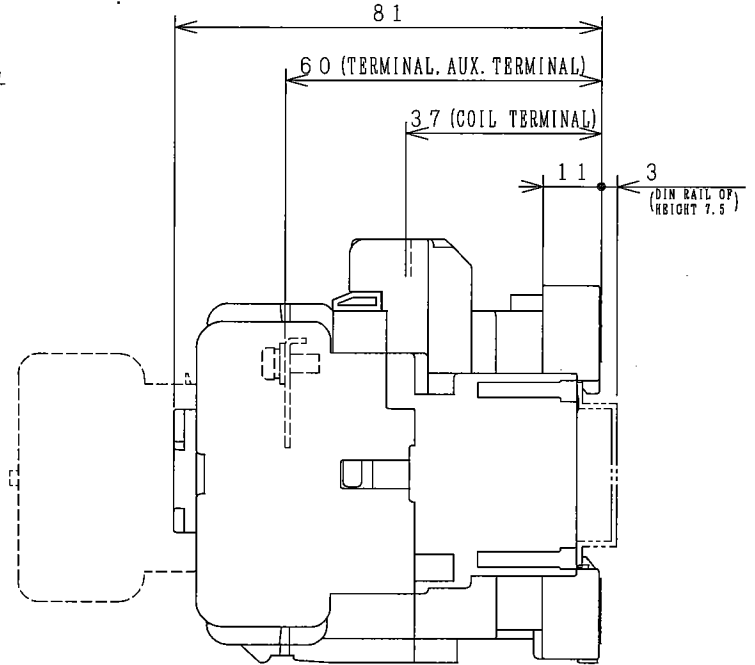
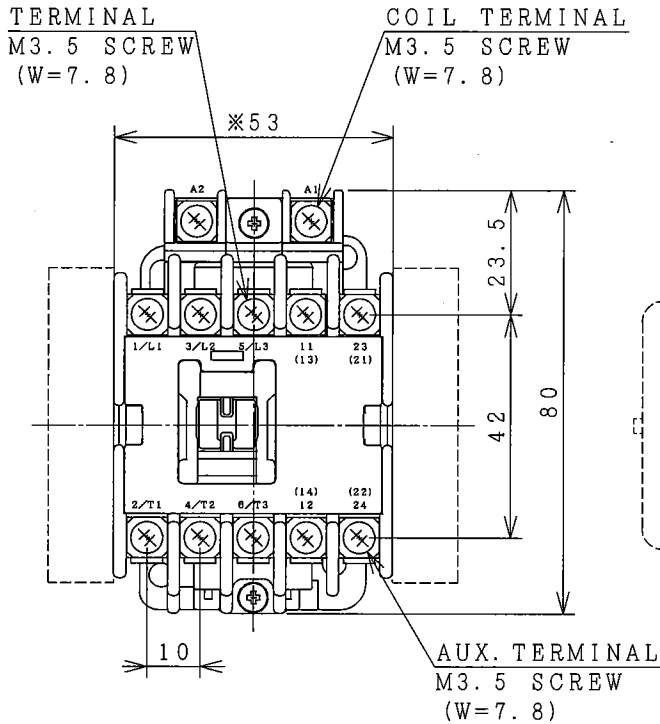


HITACHI ELECTROMAGNETIC CONTACTOR

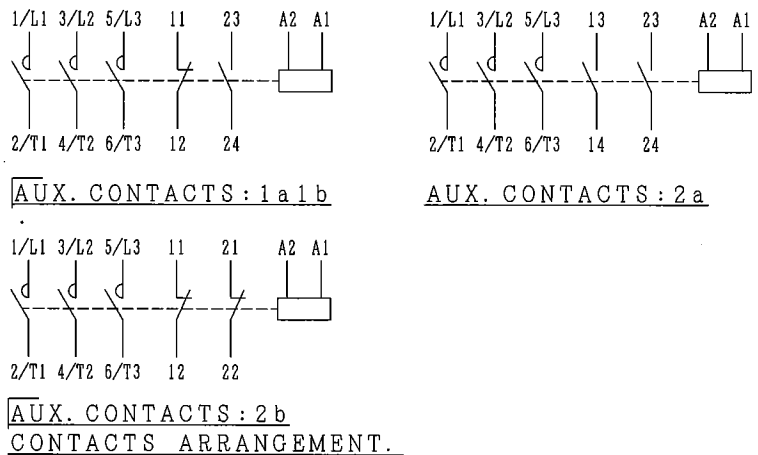
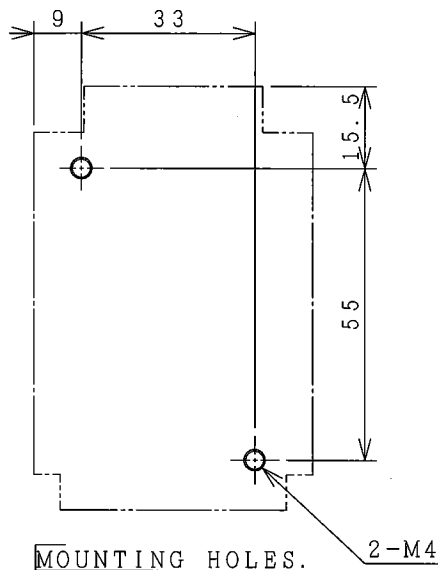
Type	Rated insulation voltage (Ui)	Max. rated capacity of motor			Rated thermal current (ACI = I _{th})	Applicable standard	Aux. Contact	Weight
		240V	3.5kW	13A				
HS11	AC 690 V	440V	5.5kW	12A	20 A	IEC 60947-4-1	1a1b or 2a, 2b	0.36 kg
		240V	3.5kW	13A				

※WITH AUX. CONTACT SIDE ON UNIT = 78mm.

※WITH AUX. CONTACT HEAD ON UNIT = 112mm.



OUTLINE DIMENSIONS.



※REMARK

- DIMENSION UNIT = Millimeter (mm).
- (a) = AUX. CONTACT NORMALLY OPENED.
- (b) = AUX. CONTACT NORMALLY CLOSED.

- 30x48
- 34x48
- 34x52
- 35x50

ALSO POSSIBLE.

(W=) : WIDTH OF TERMINAL.

DWN.	O. SITTICHAJ	21/09/17	PROJECTION	TITLE
CHKD.	<i>J. Sankha</i>		SCALE	DIMENSION OF HS11
APPD.	<i>C. Krutisak</i>		NTS.	
HITACHI Hitachi Industrial Technology (Thailand), Ltd.				HITT WORKS DWG. No.
				4HTN001142
				REV.
				00
				SH.
				01
				01