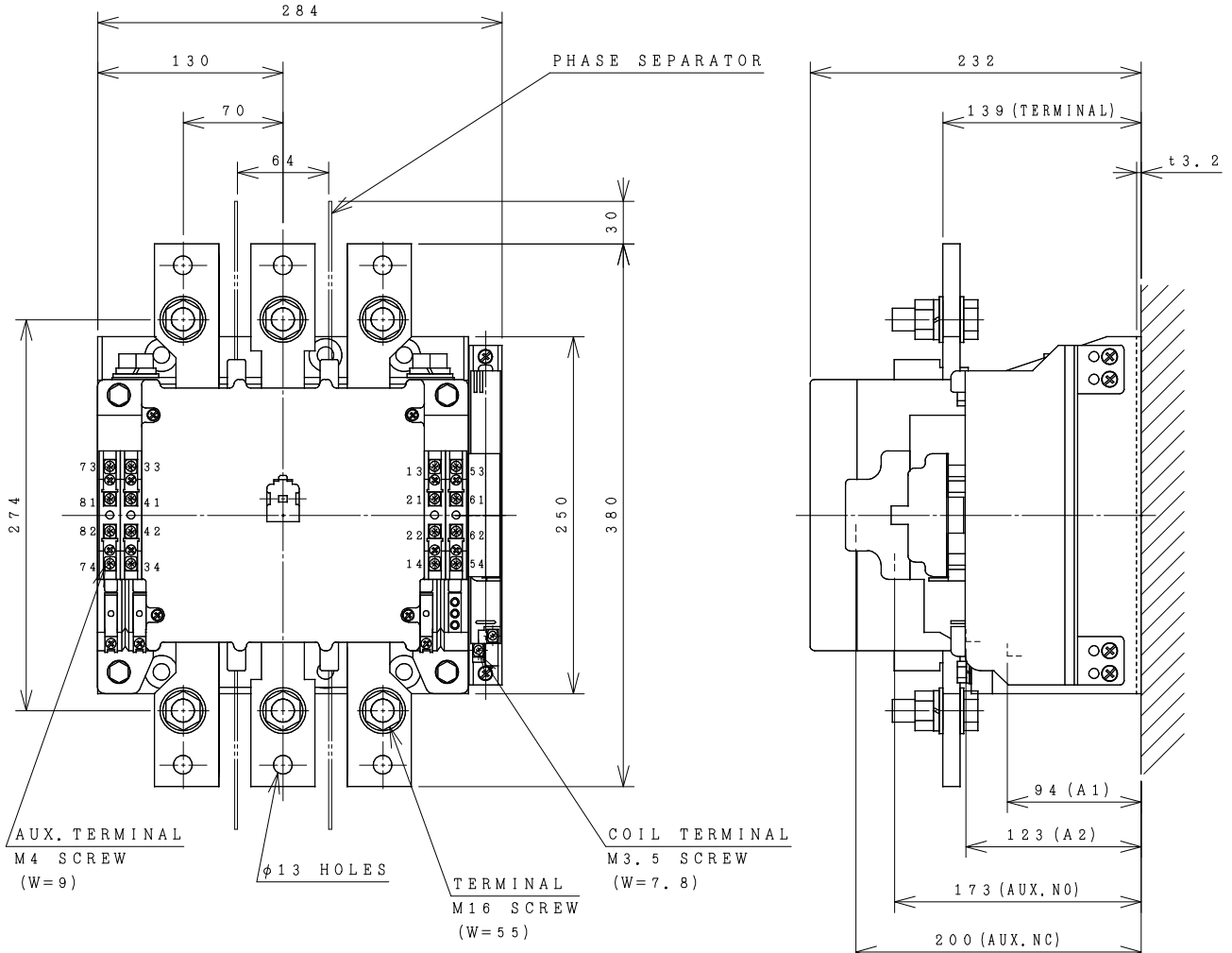
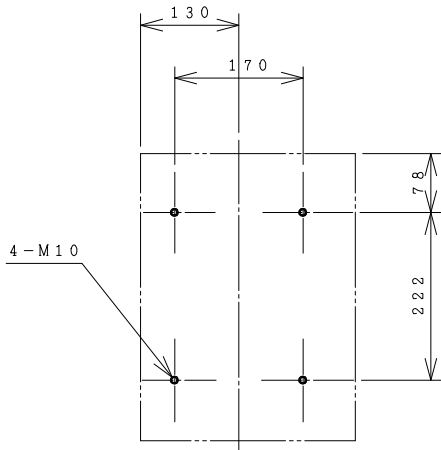


# HITACHI ELECTROMAGNETIC CONTACTOR

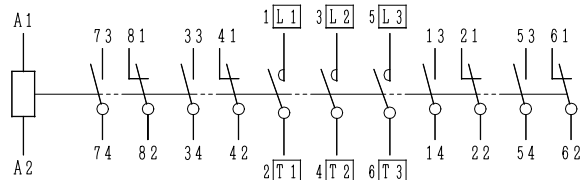
Type	Rated insulation voltage (Ui)	Max. rated capacity of motor			Rated thermal current (AC1 = I <sub>th</sub> )	Applicable standard	Aux. Contact	Weight
H800C-G	AC 660 V	240V	200kW (AC2)	800A (AC2)	800 A	IEC 60947-4-1	4a4b	25 kg
		440V	400kW (AC2)	800A (AC2)				



OUTLINE DIMENSIONS.



MOUNTING HOLES.



CONTACTS ARRANGEMENT.

(W=) : WIDTH OF TERMINAL.

※REMARK

- DIMENSION UNIT = Millimeter (mm.).
- (a) = AUX. CONTACT NORMALLY OPENED.
- (b) = AUX. CONTACT NORMALLY CLOSED.

(Reference 43057701R01).

DWN. S. CHAIAMPOL 09/09/16	PROJECTION	TITLE	REV.
CHKD. <i>imsa</i>	SCALE	DIMENSION OF H800C-G	00
APPD. <i>C.Kiattisak</i>	NTS.		01
HITT WORKS DWG. No.			01
<b>HITACHI</b> Hitachi Industrial Technology (Thailand), Ltd.			4HTN000949