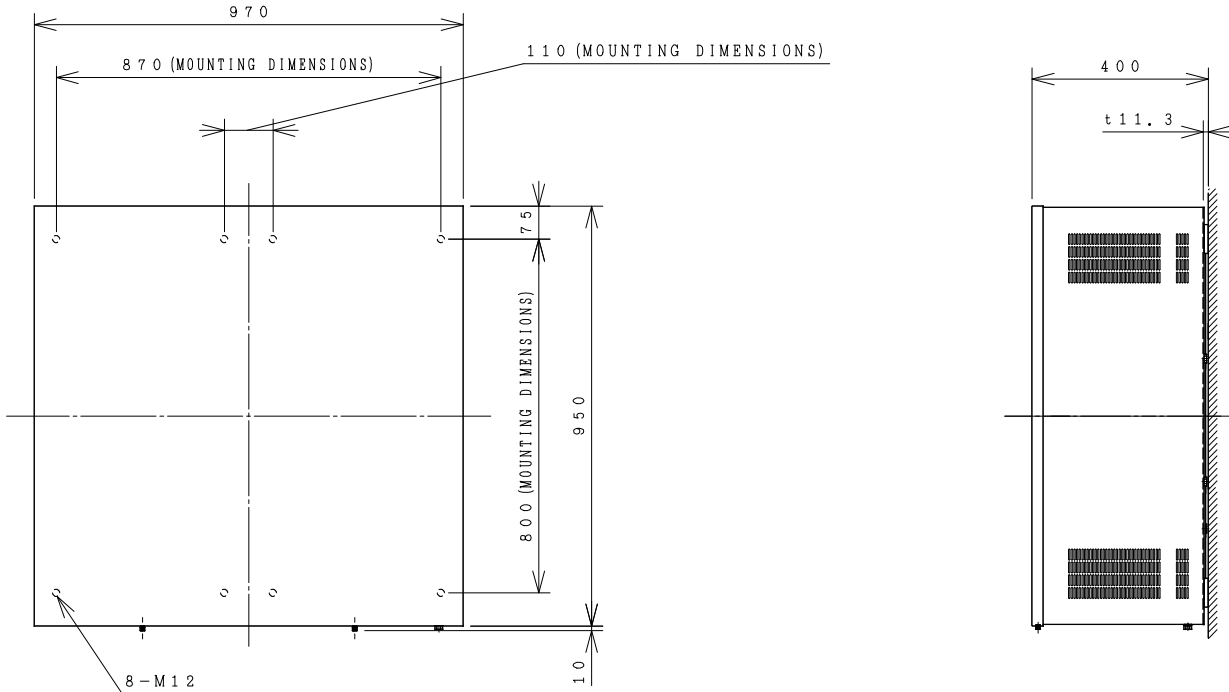
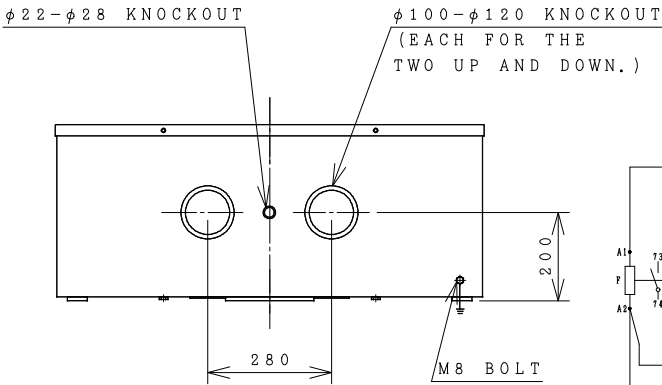


HITACHI ELECTROMAGNETIC SWITCH

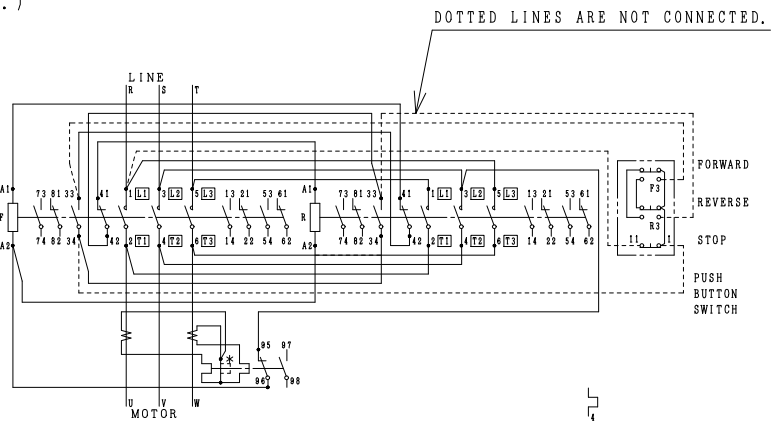
Type	Rated insulation voltage (Ui)	Max. rated capacity of motor			Rated thermal current (AC1 = I _{th})	Applicable standard	Aux. Contact	Weight
		240V	160kW	600A				
SH600C-RT	AC 660 V	240V	160kW	600A	600 A	IEC 60947-4-1	(4a4b) x 2	115 kg
SH600C-RTK		440V	300kW	600A				



OUTLINE DIMENSIONS.



MOUNTING HOLES.



*IN CASE OF 2E THERMAL OVERLOAD RELAY.

CONTACTS ARRANGEMENT.

		TERMINAL SCREW	WIDTH OF TERMINAL
MAIN CIRCUIT	CONTACTOR	M12	55
	OVERLOAD RELAY	M12	55
OPERATION CIRCUIT	COIL TERMINAL	M3.5	7.8
	AUX. TERMINAL	M4	9
	OVERLOAD RELAY	M3.5	7.8

REMARK

- DIMENSION UNIT = Millimeter (mm.).
- (a) = AUX. CONTACT NORMALLY OPENED.
- (b) = AUX. CONTACT NORMALLY CLOSED.

(Reference 43064017R01).

DWN. S. CHAIAMPOL	07/09/16	PROJECTION	TITLE
CHKD. <i>Janaka</i>	S	SCALE NTS.	DIMENSION OF SH600C-RT, RTK
APPD. <i>C.Kiatissak</i>			
HITACHI Hitachi Industrial Technology (Thailand), Ltd.			4HTN000946
			REV.
			00
			SH.
			01
			01