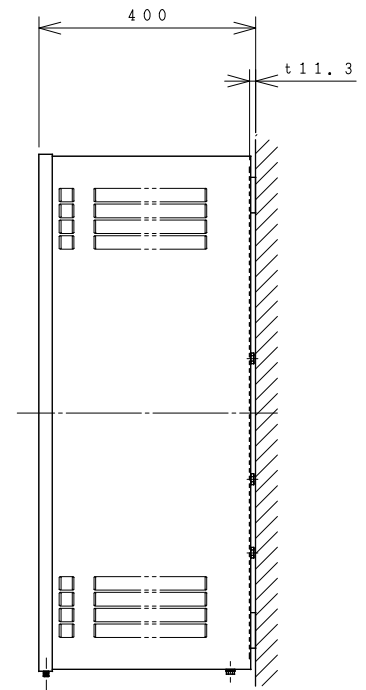
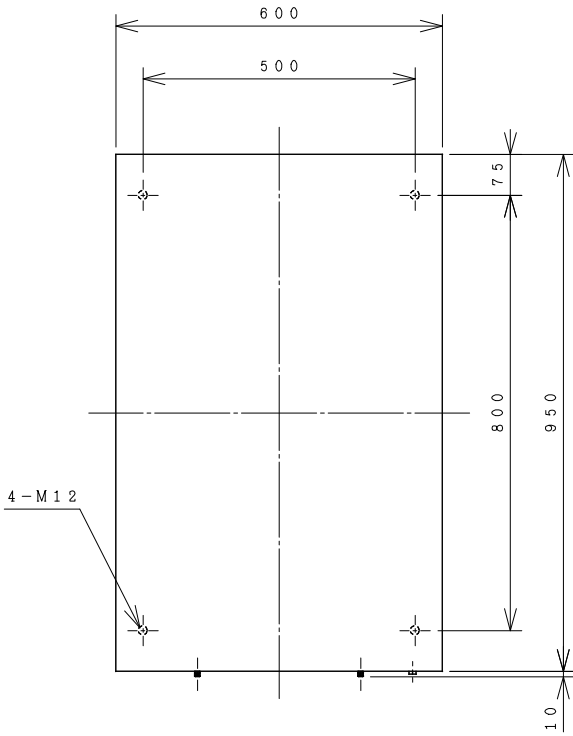
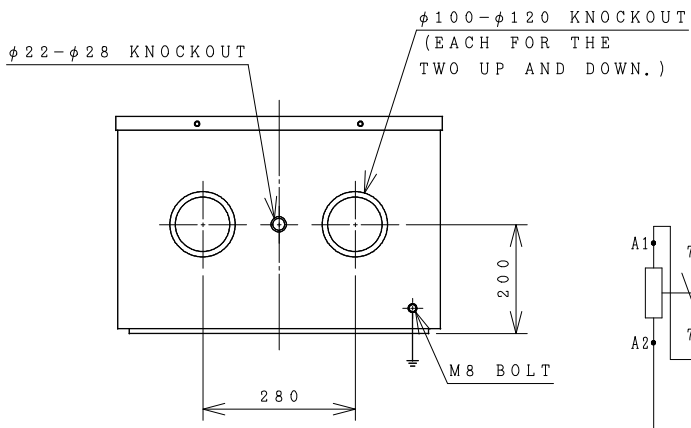


# HITACHI ELECTROMAGNETIC SWITCH

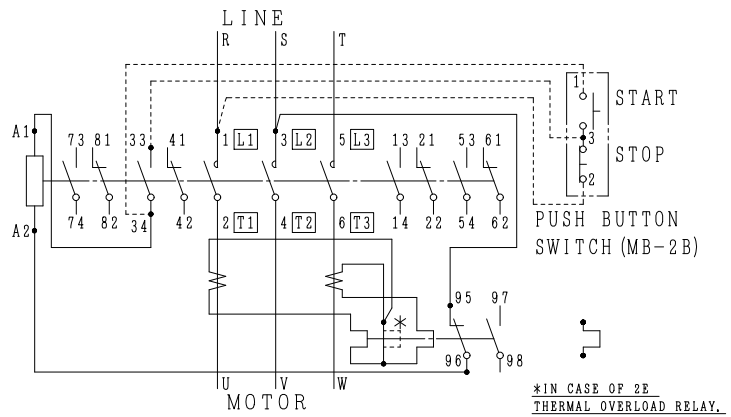
Type	Rated insulation voltage (Ui)	Max. rated capacity of motor			Rated thermal current (AC1 = I <sub>th</sub> )	Applicable standard	Aux. Contact	Weight
		240V	160kW	600A				
SH600C-T	AC 660 V	240V	160kW	600A	600 A	IEC 60947-4-1	4a4b	55 kg
SH600C-TK		440V	300kW	600A				



OUTLINE DIMENSIONS.



MOUNTING HOLES.



CONTACTS ARRANGEMENT.

		TERMINAL SCREW	WIDTH OF TERMINAL
MAIN CIRCUIT	CONTACTOR	M12 (BOLT)	55
	OVERLOAD RELAY	M3.5	7.8
OPERATION CIRCUIT	CONTACTOR	M4	9
	OVERLOAD RELAY	M3.5	7.8

REMARK  
 - DIMENSION UNIT = Millimeter (mm.).  
 - (a) = AUX. CONTACT NORMALLY OPENED.  
 - (b) = AUX. CONTACT NORMALLY CLOSED.

(Reference 43058186R00).

DWN. S. CHAIAMPOL 07/09/16	PROJECTION	TITLE
CHKD. <i>Jan-a</i>		DIMENSION OF SH600C-T, TK
APPD. <i>C. Kiattisak</i>	SCALE NTS.	
HITT WORKS DWG. No.		REV.
<b>HITACHI</b> Hitachi Industrial Technology (Thailand), Ltd.		00
		01
		01
		01