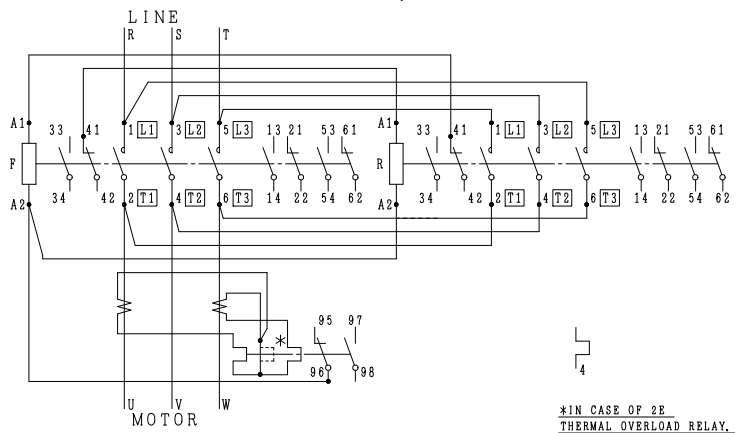
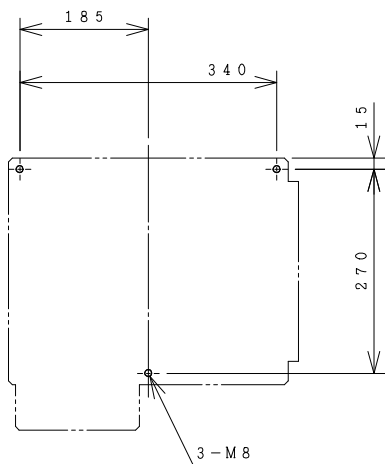
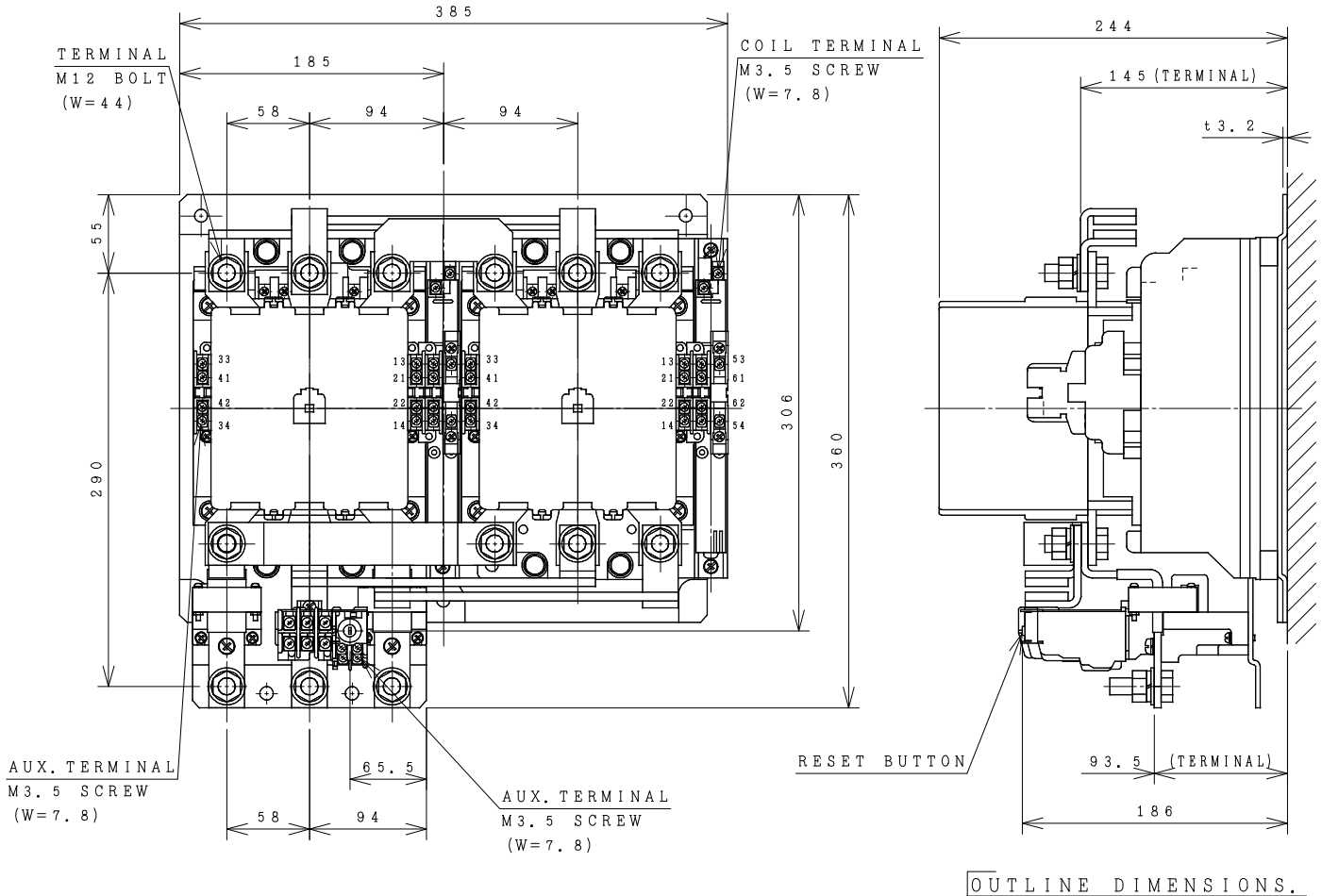


HITACHI ELECTROMAGNETIC SWITCH

Type	Rated insulation voltage (Ui)	Max. rated capacity of motor			Rated thermal current (AC1 = Ith)	Applicable standard	Aux. Contact	Weight
H400C-RT	AC 660 V	240V	115kW	400A	420 A	IEC 60947-4-1	(3a3b) x 2	30 kg
H400C-RTK		440V	200kW	400A				



(W=) : WIDTH OF TERMINAL.

※REMARK

- DIMENSION UNIT = Millimeter (mm.)
- (a) = AUX. CONTACT NORMALLY OPENED.
- (b) = AUX. CONTACT NORMALLY CLOSED.

(Reference 43058184R01).

DWN. S. CHAIAMPOL	02/09/16	PROJECTION	TITLE
CHKD. <i>Jan-a</i>		SCALE	DIMENSION OF H400C-RT, RTK
APPD. <i>C. Kiatissak</i>		NTS.	
HITT WORKS DWG. No.			REV.
HITACHI Hitachi Industrial Technology (Thailand), Ltd.			00
			01
			01
			01

4HTN000932