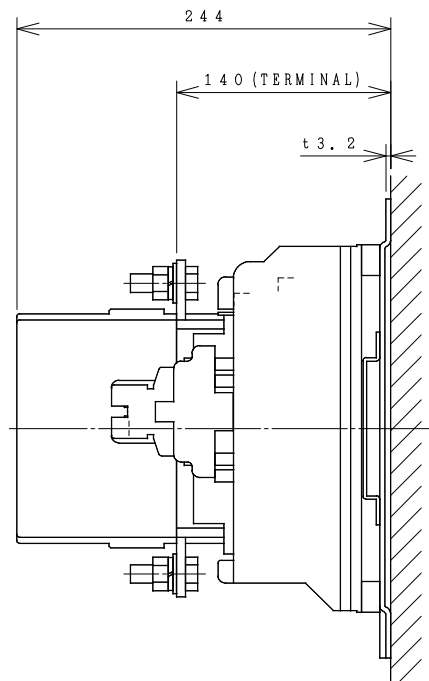
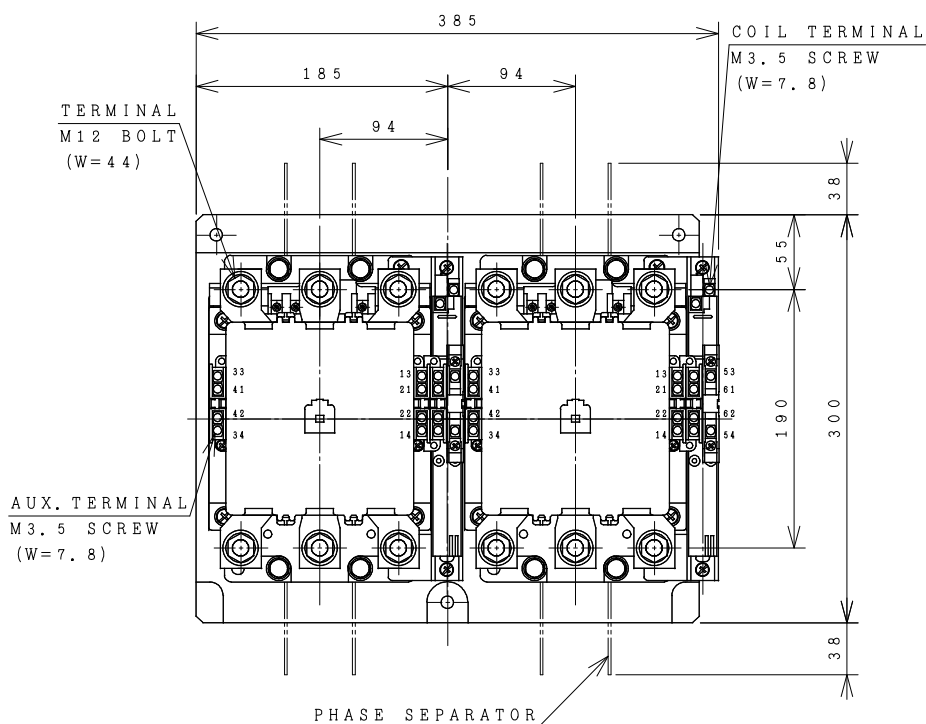
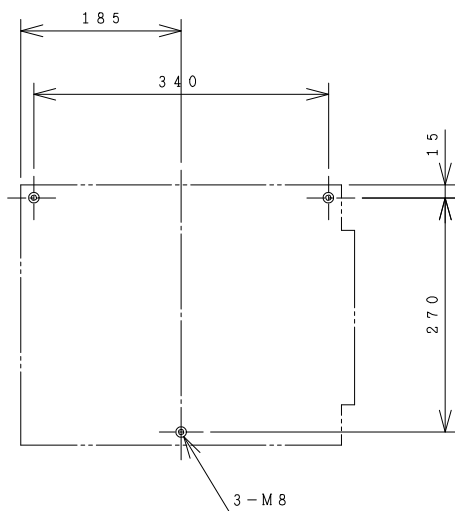


HITACHI ELECTROMAGNETIC CONTACTOR

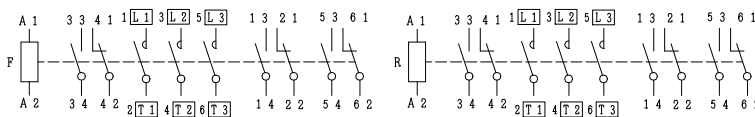
Type	Rated insulation voltage (Ui)	Max. rated capacity of motor			Rated thermal current (AC1 = Ith)	Applicable standard	Aux. Contact	Weight
		240V	115kW	400A				
H400C-R	AC 660 V	240V	115kW	400A	420 A	IEC 60947-4-1	(3a3b) x 2	25 kg
		440V	200kW	400A				



OUTLINE DIMENSIONS.



MOUNTING HOLES.



CONTACTS ARRANGEMENT.

(Reference 43057004R03).

REMARK

- DIMENSION UNIT = Millimeter (mm).
- (a) = AUX. CONTACT NORMALLY OPENED.
- (b) = AUX. CONTACT NORMALLY CLOSED.

DWN. S. CHAIAMPOL	26/08/16	PROJECTION	TITLE
CHKD. <i>Jan-a</i>	S	SCALE NTS.	DIMENSION OF H400C-R
APPD. <i>C.Kiatissak</i>			
HITACHI Hitachi Industrial Technology (Thailand), Ltd.			4HTN000931
			REV.
			00
			SH.
			01
			01

(W=) : WIDTH OF TERMINAL.