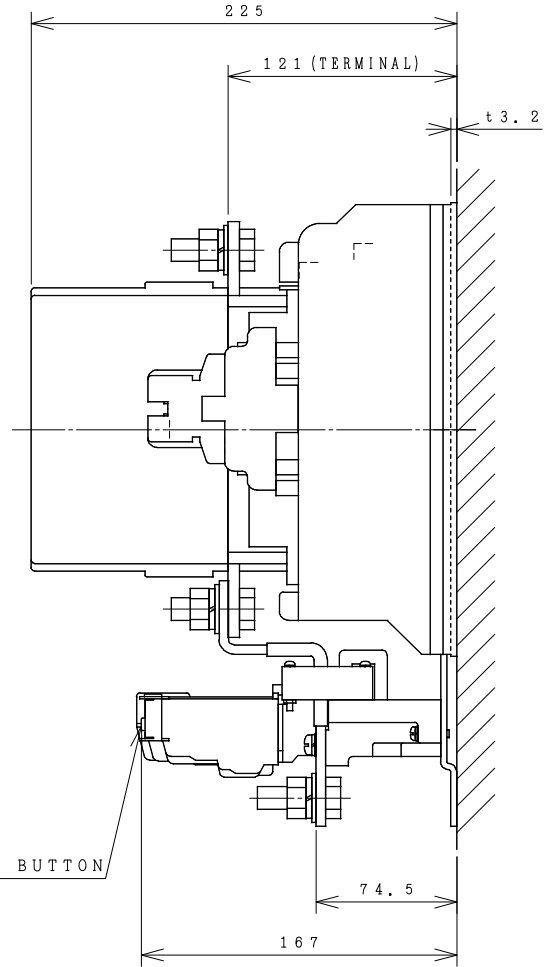
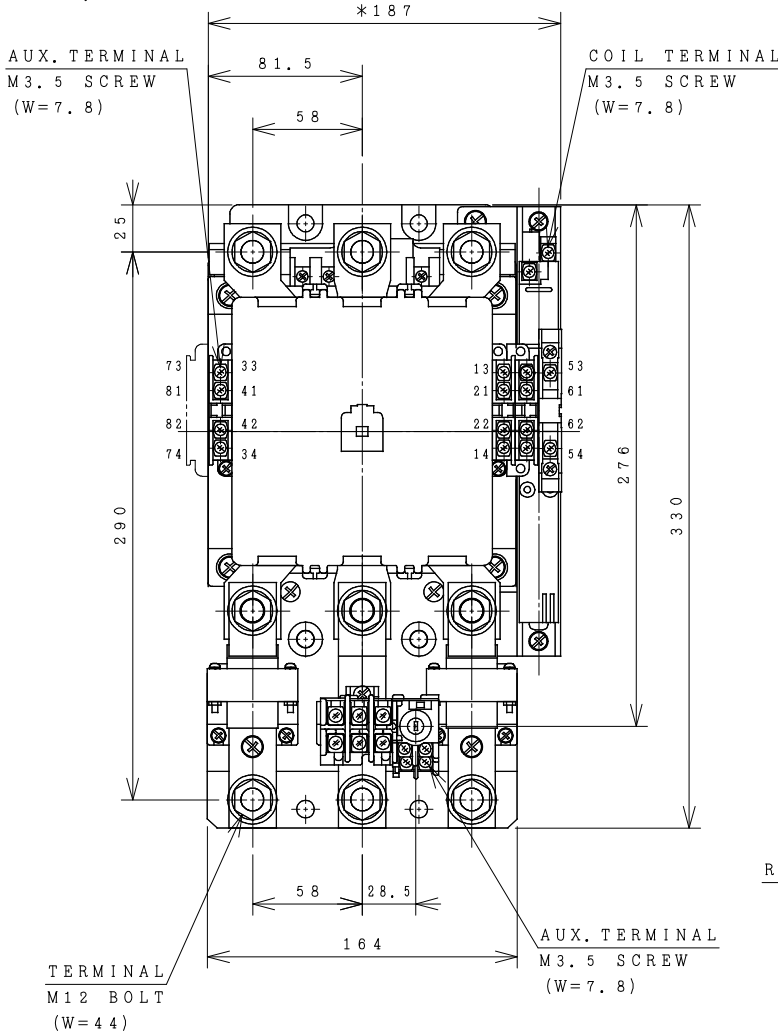


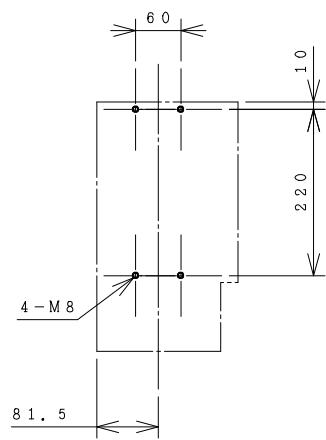
# HITACHI ELECTROMAGNETIC SWITCH

Type	Rated insulation voltage (Ui)	Max. rated capacity of motor			Rated thermal current (AC1 = I <sub>th</sub> )	Applicable standard	Aux. Contact	Weight
H400C-T	AC 660 V	240V	115kW	400A	420 A	IEC 60947-4-1	3a3b	13 kg
H400C-TK		440V	200kW	400A				

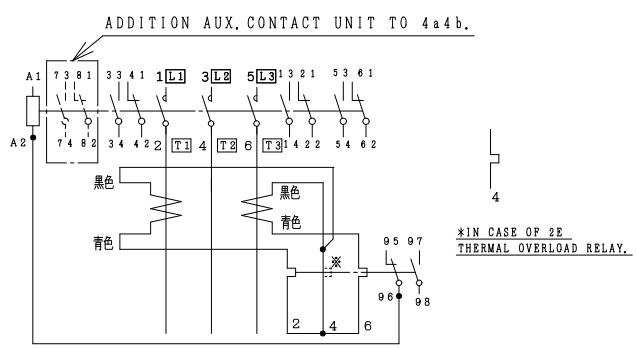
\*WITH AUX. CONTACT 4 a 4 b = 199 mm.



OUTLINE DIMENSIONS.



MOUNTING HOLES.



CONTACTS ARRANGEMENT.

(Reference 43055995R01).

(W=) : WIDTH OF TERMINAL.  
 \*REMARK  
 - DIMENSION UNIT = Millimeter (mm.).  
 - (a) = AUX. CONTACT NORMALLY OPENED.  
 - (b) = AUX. CONTACT NORMALLY CLOSED.

DWN. S. CHAIAMPOL CHKD. <i>[Signature]</i> APPD. <i>[Signature]</i>	30/08/16 SCALE NTS.	PROJECTION 	TITLE DIMENSION OF H400C-T, TK
HITACHI Hitachi Industrial Technology (Thailand), Ltd.			HITT WORKS DWG. No. 4HTN000930
			REV. 00 SH. 01 01