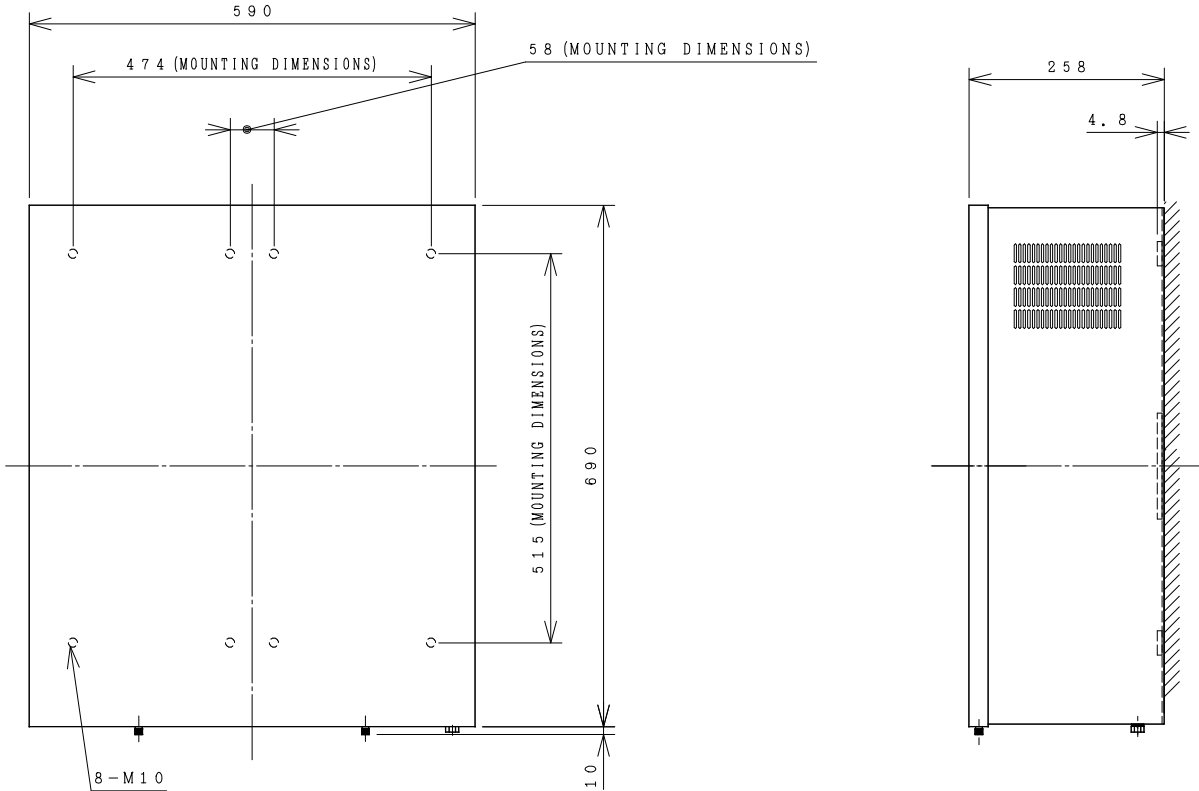
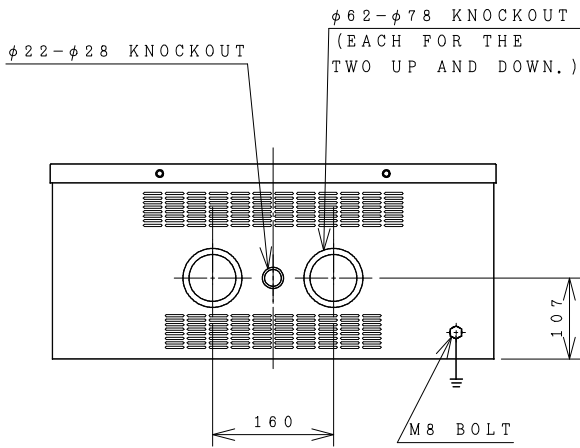


HITACHI ELECTROMAGNETIC SWITCH

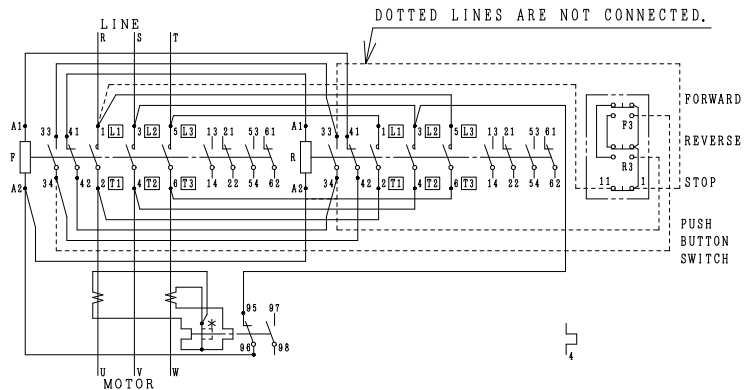
Type	Rated insulation voltage (Ui)	Max. rated capacity of motor			Rated thermal current (AC1 = Ith)	Applicable standard	Aux. Contact	Weight
		240V	90kW	300A				
SH300C-RT	AC 660 V	240V	90kW	300A	300 A	IEC 60947-4-1	(3a3b) x 2	53 kg
SH300C-RTK		440V	150kW	300A				



OUTLINE DIMENSIONS.



MOUNTING HOLES.



CONTACTS ARRANGEMENT.

(Reference 43064015R01).

REMARK

- DIMENSION UNIT = Millimeter (mm.)
- (a) = AUX. CONTACT NORMALLY OPENED.
- (b) = AUX. CONTACT NORMALLY CLOSED.

		TERMINAL SCREW	WIDTH OF TERMINAL
MAIN CIRCUIT	CONTACTOR	M12	44
	OVERLOAD RELAY	M12	44
OPERATION CIRCUIT	CONTACTOR	M3, 5	7.8
	OVERLOAD RELAY	M3, 5	7.8

DWN. S. CHAIAMPOL 02/09/16	PROJECTION	TITLE
CHKD. <i>Jana</i>	SCALE	DIMENSION OF SH300C-RT, RTK
APPD. <i>C. Kiatissak</i>	NTS.	
HITT WORKS DWG. No.		REV.
HITACHI Hitachi Industrial Technology (Thailand), Ltd.		00
		01
		01
		01

4HTN000928