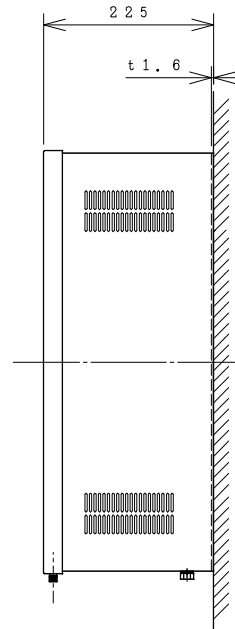
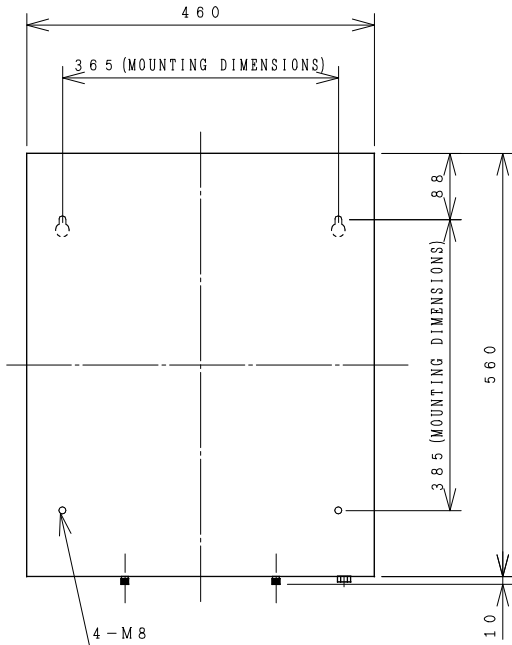
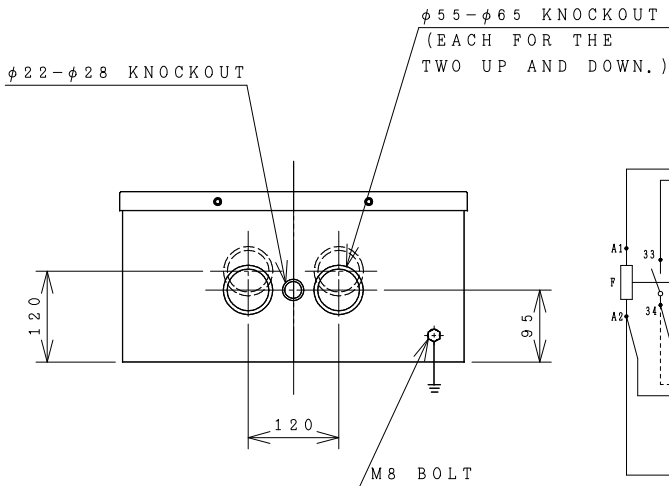


# HITACHI ELECTROMAGNETIC SWITCH

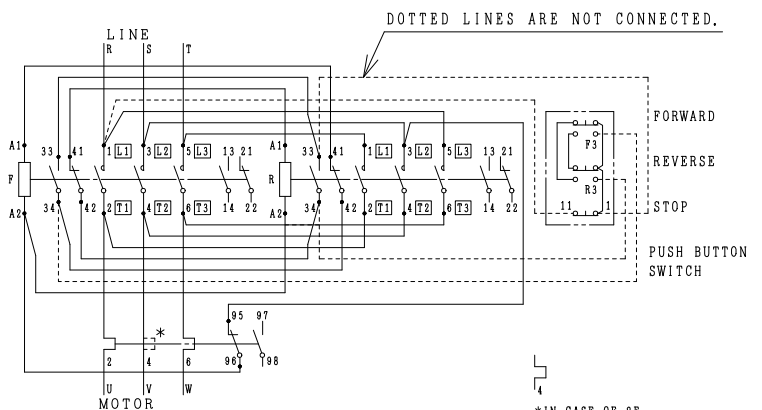
Type	Rated insulation voltage (Ui)	Max. rated capacity of motor			Rated thermal current (AC1 = I <sub>th</sub> )	Applicable standard	Aux. Contact	Weight
SH150C-RT	AC 660 V	240V	45kW	150A	150 A	IEC 60947-4-1	(2a2b) x 2	25 kg
SH150C-RTK		440V	75kW	150A				



OUTLINE DIMENSIONS.



MOUNTING HOLES.



CONTACTS ARRANGEMENT.

(Reference 43064012R01).

REMARK

- DIMENSION UNIT = Millimeter (mm.)
- (a) = AUX. CONTACT NORMALLY OPENED.
- (b) = AUX. CONTACT NORMALLY CLOSED.

		TERMINAL SCREW	WIDTH OF TERMINAL
MAIN	CONTACTOR	M8	27
CIRCUIT	OVERLOAD RELAY	M8	27
OPERATION	CONTACTOR	M3, 5	7, 8
CIRCUIT	OVERLOAD RELAY	M3, 5	7, 8

DWN. S. CHAIAMPOL	26/08/16	PROJECTION	TITLE
CHKD. <i>Janaka</i>	S	SCALE NTS.	DIMENSION OF SH150C-RT, RTK
APPD. <i>C.Kiatissak</i>			
HITT WORKS DWG. No.			REV.
<b>HITACHI</b> Hitachi Industrial Technology (Thailand), Ltd.			00
			01
			01
			01