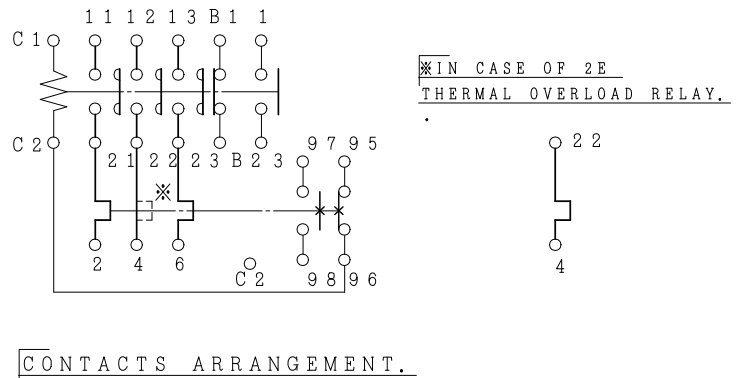
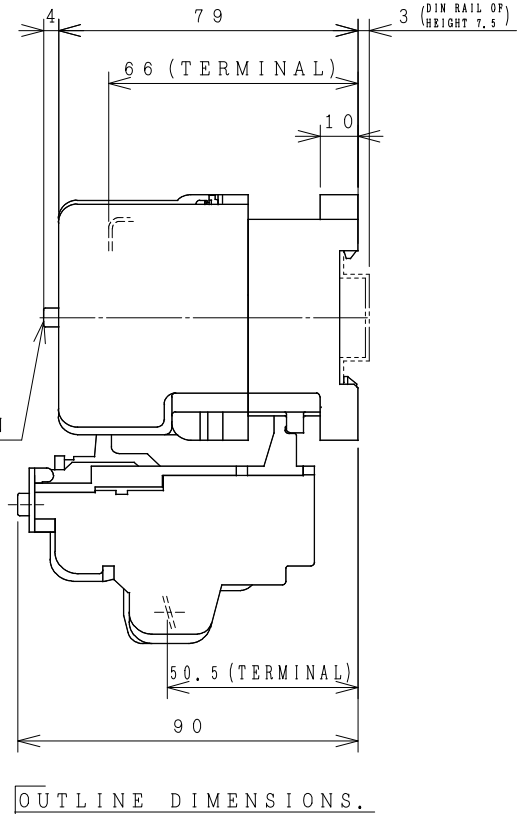
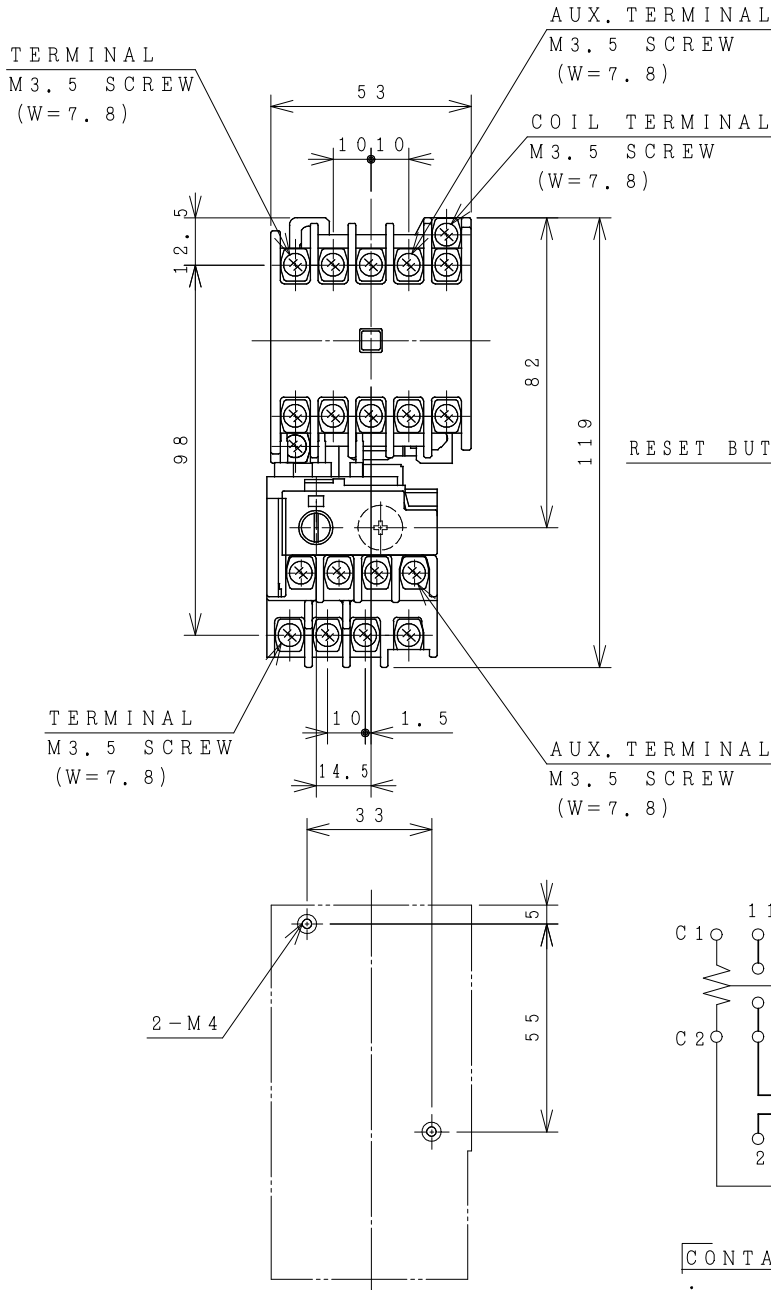


HITACHI ELECTROMAGNETIC SWITCH

Type	Rated insulation voltage (Ui)	Max. rated capacity of motor			Rated thermal current (AC1 = Ith)	Applicable standard	Aux. Contact	Weight
H11-T	AC 660 V	240V	3kW	12A	20 A	IEC 60947-4-1	1a1b or 2a, 2b	0.41 kg
H11-TK		440V	4kW	9A				



※IN CASE OF 2E THERMAL OVERLOAD RELAY.

MOUNTING HOLES.

(Reference 43041535R03).

※REMARK

- DIMENSION UNIT = Millimeter (mm).
- (a) = AUX. CONTACT NORMALLY OPENED.
- (b) = AUX. CONTACT NORMALLY CLOSED.

34 x 48

34 x 52

35 x 50

ALSO POSSIBLE.

(W=) : WIDTH OF TERMINAL.

BWN. C. JERRANAN	19/09/16	PROJECTION	TITLE
CHKD. <i>C. Kiattisak</i>		SCALE	DIMENSION OF H11-T, TK
APPD. <i>T. Kijisudh</i>		NTS.	
HITACHI Hitachi Industrial Technology (Thailand), Ltd.			HITT WORKS DWG. No.
			4HTN000845
			REV.
			00
			SH.
			01
			01