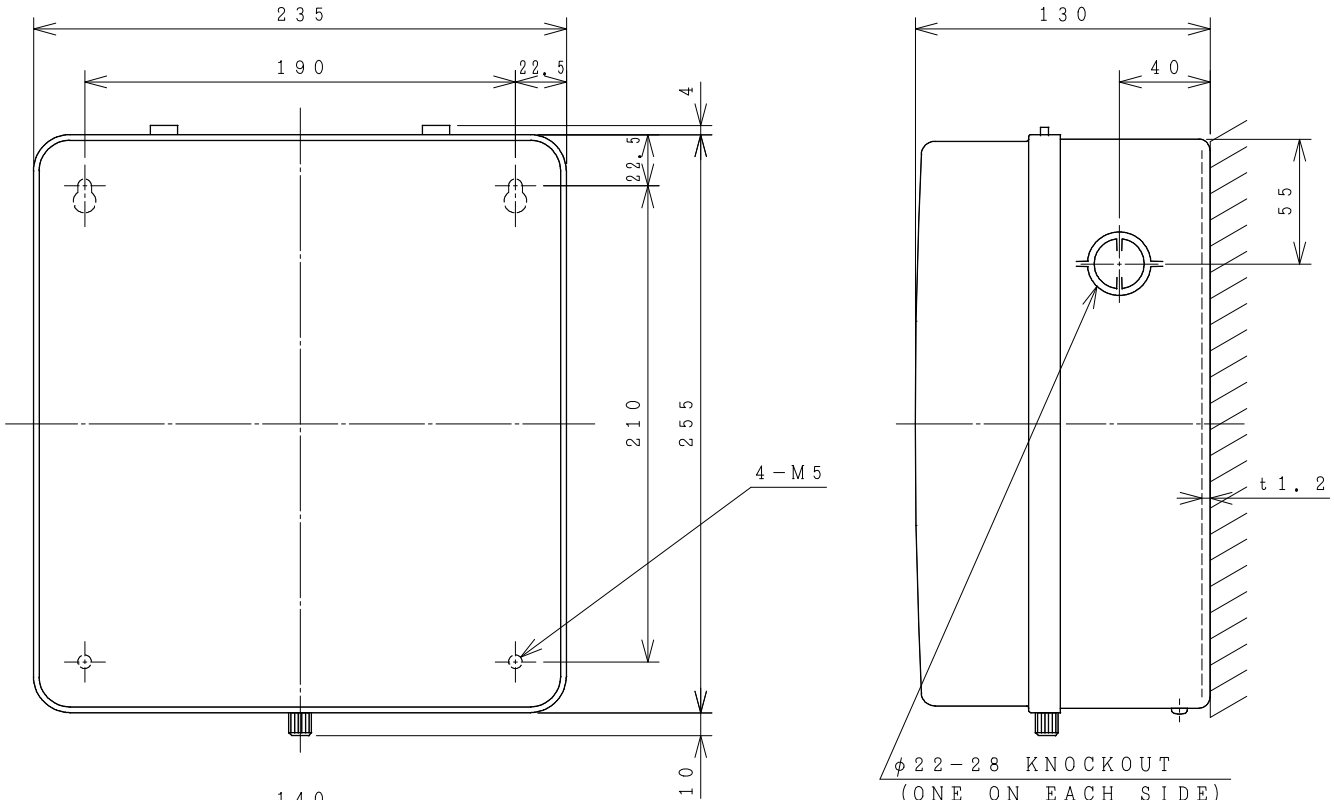
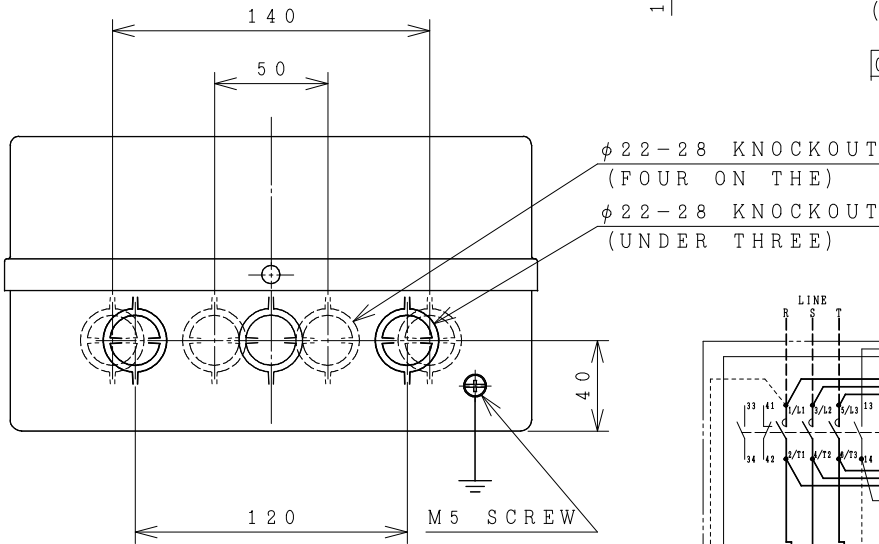


HITACHI ELECTROMAGNETIC SWITCH

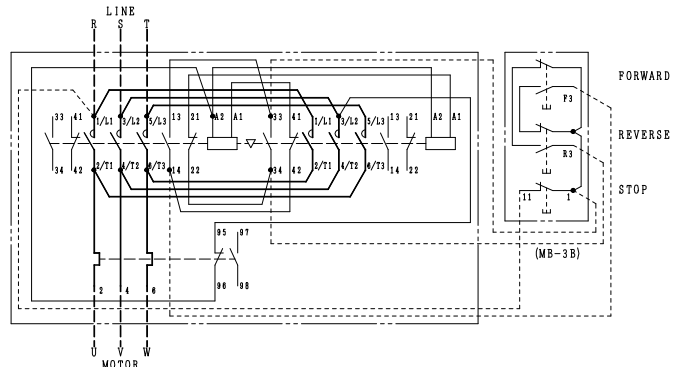
Type	Rated insulation voltage (Ui)	Max. rated capacity of motor			Rated thermal current (AC1 = Ith)	Applicable standard	Aux. Contact	Weight
		240V	11kW	40A				
SHS35-RT	AC 690	240V	11kW	40A	44 A	IEC 60947-4-1	2a2b x2	4.7 kg
	V	440V	18.5kW	40A				



OUTLINE DIMENSIONS.



CONTACTS ARRANGEMENT.



		TERMINAL SCREW	WIDTH OF TERMINAL
MAIN CIRCUIT	CONTACTOR	M5	13.9
	OVERLOAD RELAY	M5	13
OPERATION CIRCUIT	CONTACTOR	M3.5	7.8
	OVERLOAD RELAY	M3.5	7.8

REMARK

- DIMENSION UNIT = Millimeter (mm).
- (a) = AUX. CONTACT NORMALLY OPENED.
- (b) = AUX. CONTACT NORMALLY CLOSED.

(Reference 43067535R01).

DWN. O. SITTICHAJ 21/08/16	PROJECTION	TITLE	DIMENSION OF SHS35-RT
CHKD. C. Kiatissak	SCALE		
APPD. [Signature]	NTS.		
HITT WORKS DWG. No.			
HITACHI Hitachi Industrial Technology (Thailand), Ltd.			4HTN000830 REV. 00 SH. 01 01