

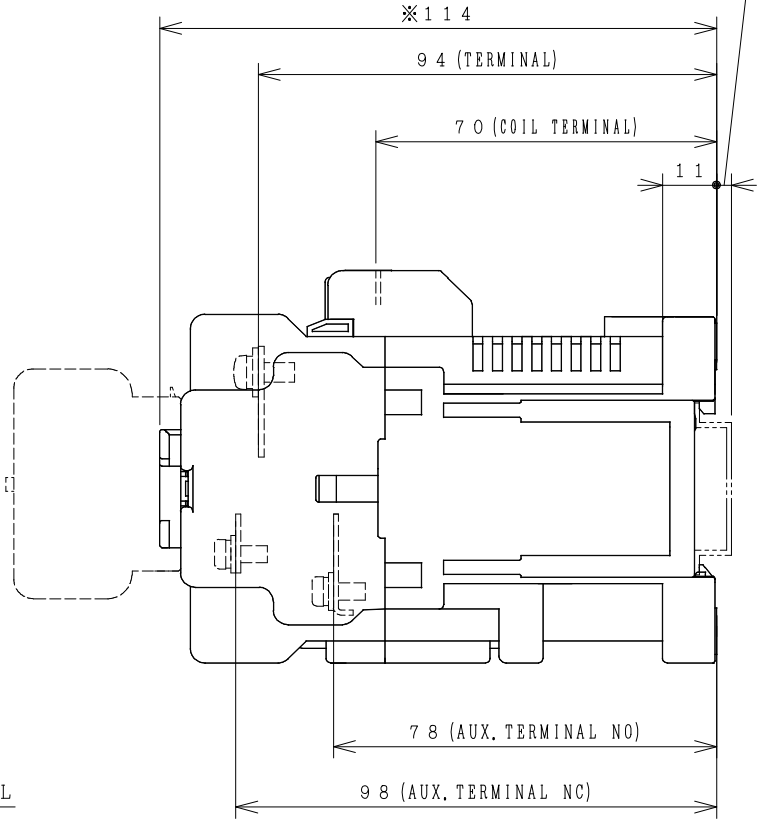
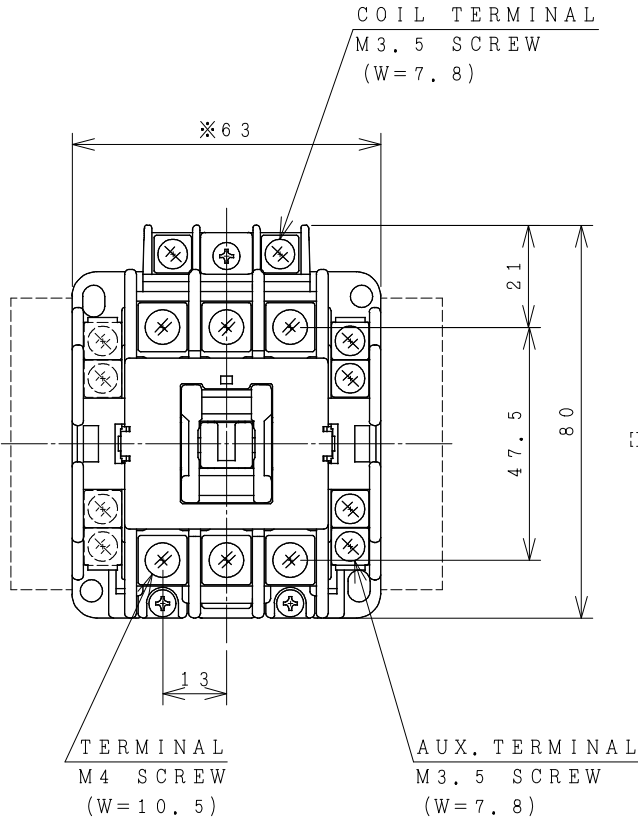
HITACHI ELECTROMAGNETIC CONTACTOR

Type	Rated insulation voltage (Ui)	Max. rated capacity of motor			Rated thermal current (AC1 = Ith)	Applicable standard	Aux. Contact	Weight
		240V	5.5kW	22A				
HS20-G	AC 690 V	240V	5.5kW	22A	32 A	IEC 60947-4-1	1a1b or 2a2b	0.65 kg
		440V	11kW	22A				

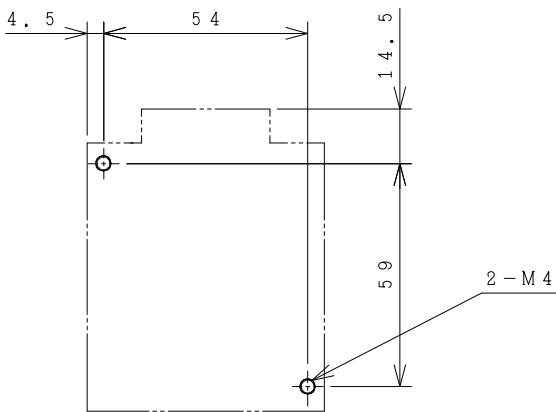
※WITH AUX. CONTACT SIDE ON UNIT = 88mm.

※WITH AUX. CONTACT HAED ON UNIT = 145mm.

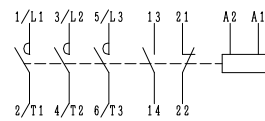
3 (DIN RAIL OF HEIGHT 7.5)



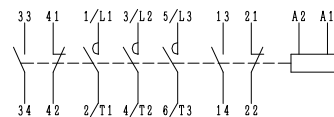
OUTLINE DIMENSIONS.



MOUNTING HOLES.



AUX. CONTACTS : 1 a 1 b



AUX. CONTACTS : 2 a 2 b
CONTACTS ARRANGEMENT.

54 x 56

54 x 60

ALSO POSSIBLE.

(W) : WIDTH OF TERMINAL.

※REMARK

- DIMENSION UNIT = Millimeter (mm).
- (a) = AUX. CONTACT NORMALLY OPENED.
- (b) = AUX. CONTACT NORMALLY CLOSED.

(Reference 43068168R01).

DWN. O. SITTICHAJ 05/07/16	PROJECTION	TITLE	DIMENSION OF HS20-G
CHKD. <i>C. Kiatissak</i>	SCALE		
APPD. <i>T. Kiatissak</i>	NTS.		
HITT WORKS DWG. No.			REV.
HITACHI Hitachi Industrial Technology (Thailand), Ltd.			00
4HTN000800			SH.
			01
			01