

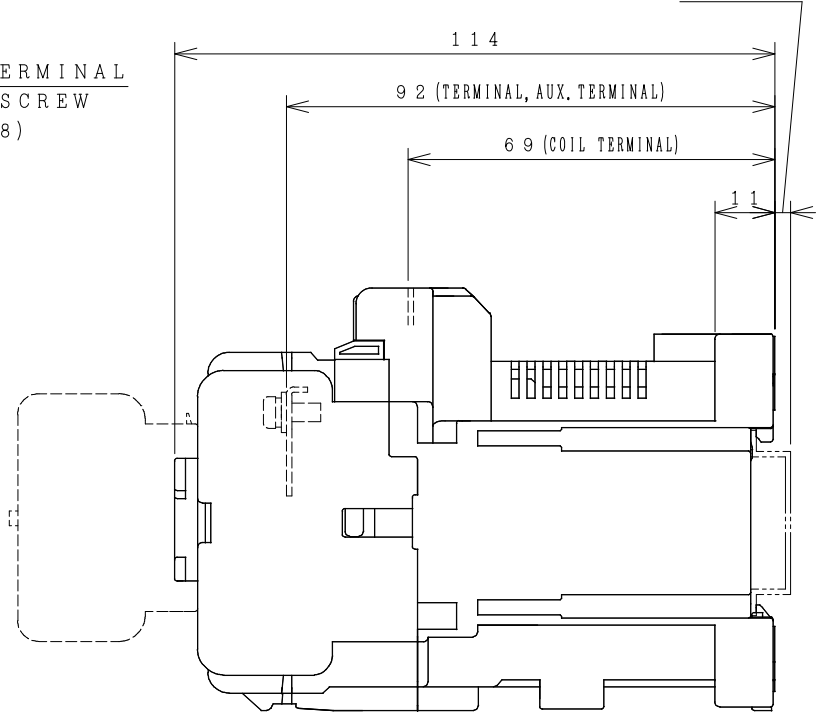
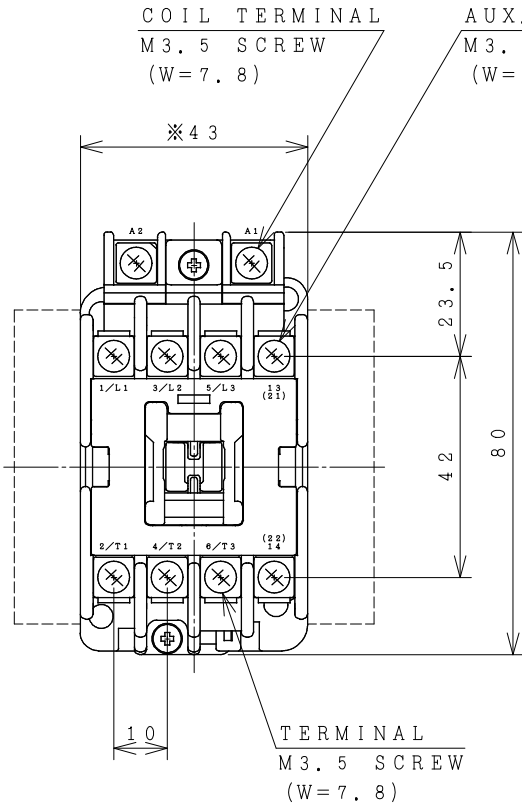
HITACHI ELECTROMAGNETIC CONTACTOR

Type	Rated insulation voltage (Ui)	Max. rated capacity of motor			Rated thermal current (AC1 = Ith)	Applicable standard	Aux. Contact	Weight
		240V	3.5kW	13A				
HS10-G	AC 690 V	440V	5.5kW	12A	20 A	IEC 60947-4-1	1a or 1b	0.59 kg

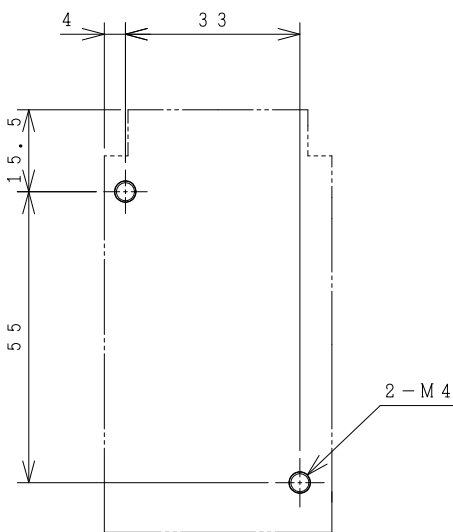
※WITH AUX. CONTACT SIDE ON UNIT = 68mm.

※WITH AUX. CONTACT HEAD ON UNIT = 145mm.

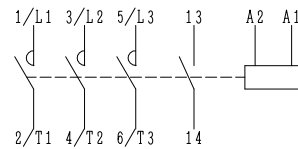
3 (DIN RAIL OF HEIGHT 7.5)



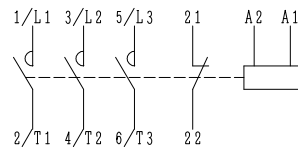
OUTLINE DIMENSIONS.



MOUNTING HOLES.



AUX. CONTACTS : 1 a



AUX. CONTACTS : 1 b

CONTACTS ARRANGEMENT.

(Reference 43068167R00).

※REMARK

- DIMENSION UNIT = Millimeter (mm).

- (a) = AUX. CONTACT NORMALLY OPENED.

- (b) = AUX. CONTACT NORMALLY CLOSED.

- 30 x 48
- 34 x 48
- 34 x 52
- 35 x 50

ALSO POSSIBLE.

(W=) : WIDTH OF TERMINAL.

DWN. O. SITTICHAJ 24/06/16 CHKD. <i>C. Kiatissak</i> APPD. <i>T. Kiatissak</i>	PROJECTION SCALE NTS.	TITLE DIMENSION OF HS10-G	HITT WORKS DWG. No. 4HTN000788	REV. 00 SH. 01 01
HITACHI Hitachi Industrial Technology (Thailand), Ltd.				