

# HITACHI ELECTROMAGNETIC CONTACTOR

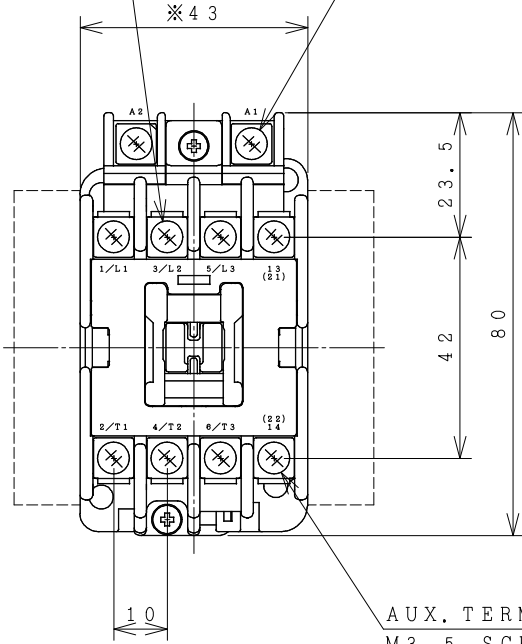
Type	Rated insulation voltage (Ui)	Max. rated capacity of motor			Rated thermal current (AC1 = Ith)	Applicable standard	Aux. Contact	Weight
		240V	3.5kW	13A				
HS10	AC 690 V	440V	5.5kW	12A	20 A	IEC 60947-4-1	1a or 1b	0.34 kg

※WITH AUX. CONTACT SIDE ON UNIT = 68mm.

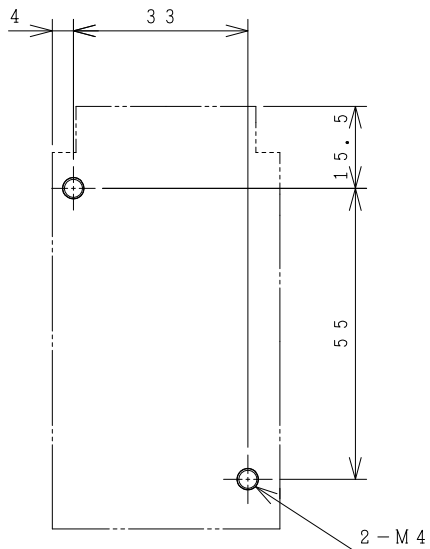
※WITH AUX. CONTACT HEAD ON UNIT = 112mm.

TERMINAL  
M3.5 SCREW  
(W=7.8)

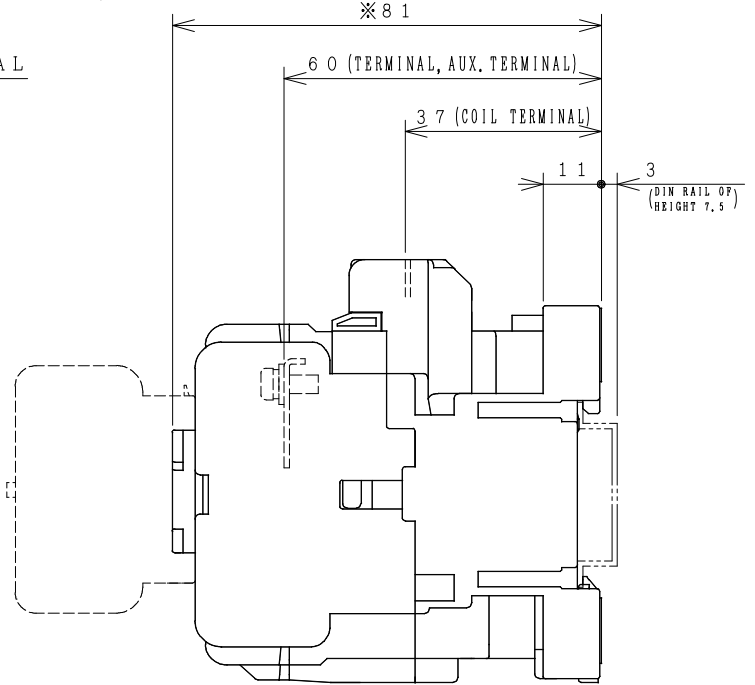
COIL TERMINAL  
M3.5 SCREW  
(W=7.8)



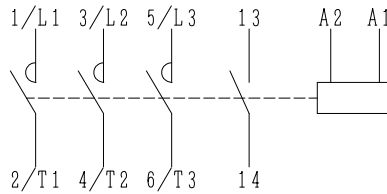
AUX. TERMINAL  
M3.5 SCREW  
(W=7.8)



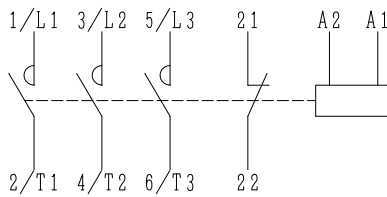
MOUNTING HOLES.



OUTLINE DIMENSIONS.



AUX. CONTACTS: 1 a



AUX. CONTACTS: 1 b  
CONTACTS ARRANGEMENT.

(Reference 43067189R04).

※REMARK

- DIMENSION UNIT = Millimeter (mm).

- (a) = AUX. CONTACT NORMALLY OPENED.

- (b) = AUX. CONTACT NORMALLY CLOSED.

- 30 x 48
- 34 x 48
- 34 x 52
- 35 x 50

ALSO POSSIBLE.

(W=) : WIDTH OF TERMINAL.

DWN. O. SITTICHAJ	07/06/16	PROJECTION	TITLE
CHKD. <i>C. Kiattisak</i>		SCALE	DIMENSION OF HS10
APPD. <i>T. Kijisudh</i>		NTS.	
HITACHI Hitachi Industrial Technology (Thailand), Ltd.			HITT WORKS DWG. No. 4HTN000784
			REV. 00 SH. 01 01