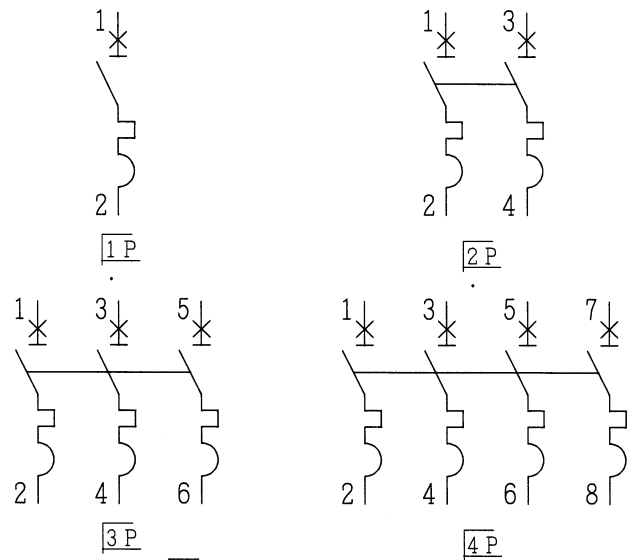
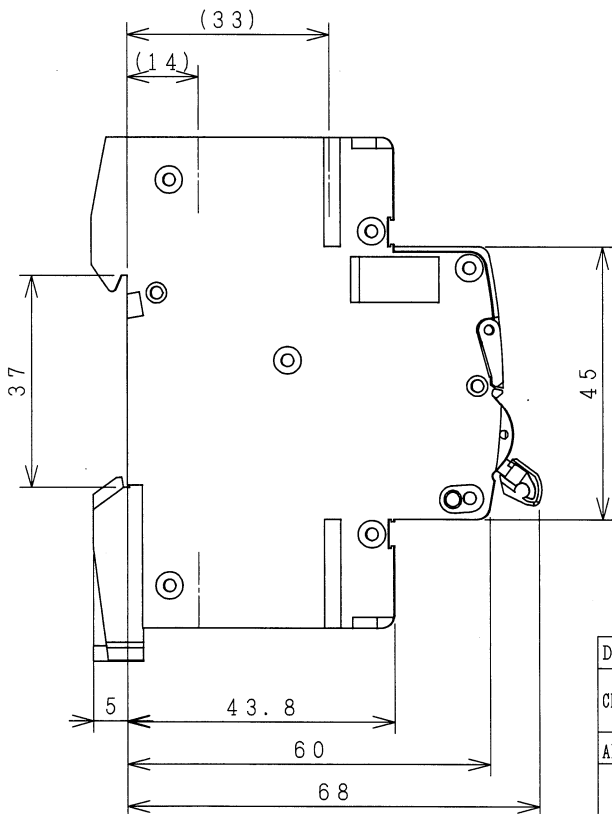
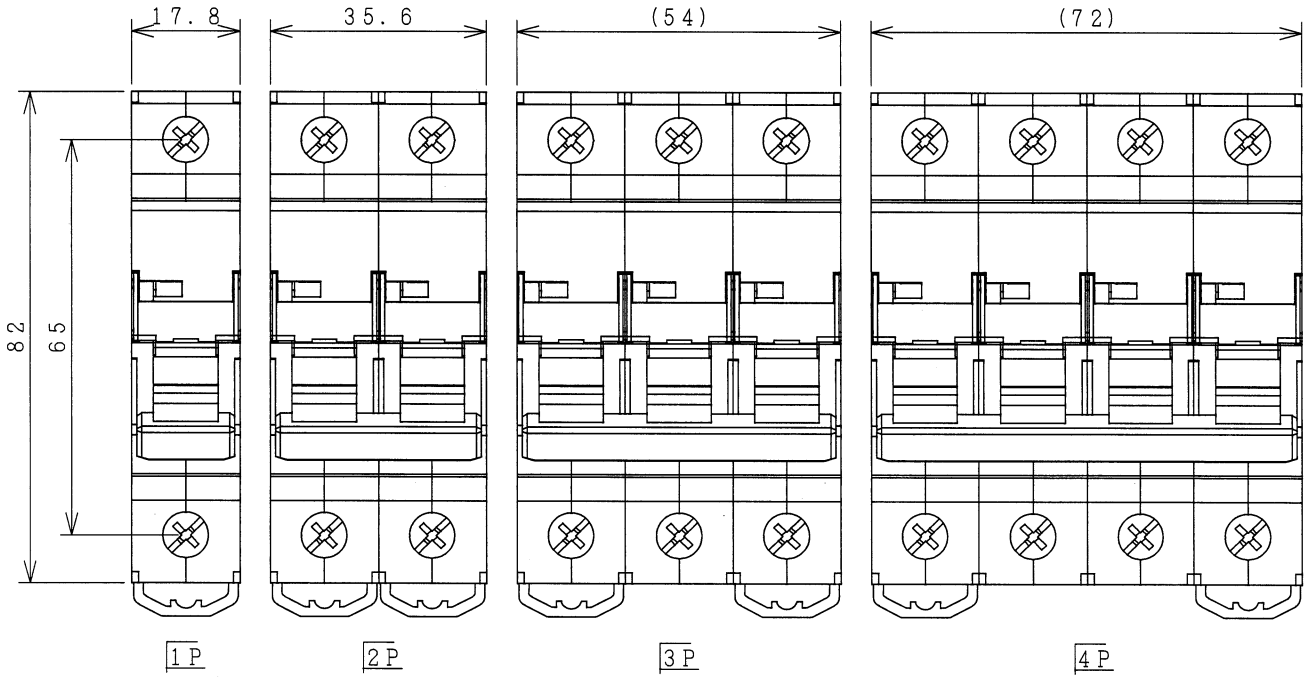


HITACHI MINIATURE CIRCUIT BREAKER

Type	Poles	IEC 60898 Rated Breaking capacity [kA]		Rated Current [A]	Base Ambient Temperature	Weight
		240V	415V			
BTK63	1P	10	10	1 2 3 4 6 10 16 20 25 32 40 50 63 A	40	0.12 kg
	2P	-				0.24 kg
	3P	-				0.36 kg
	4P	-				0.48 kg



WIRING DIAGRAM

DWN.	O. SITTICHAJ	25/06/21	PROJECTION	TITLE
CHKD.	C. Chontichan		SCALE	DIMENSION OF BTK63
APPD.	M. Sornkhat		NTS.	
HITACHI Hitachi Industrial Technology (Thailand), Ltd.				HITT WORKS DWG. No.
				4HTN001305
REMARK				REV.
-DIMENSION UNIT = Millimeter (mm).				00
				01
				01