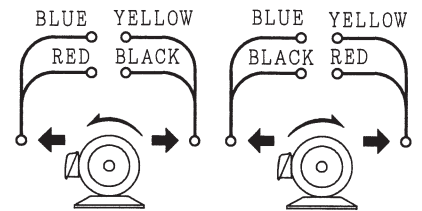
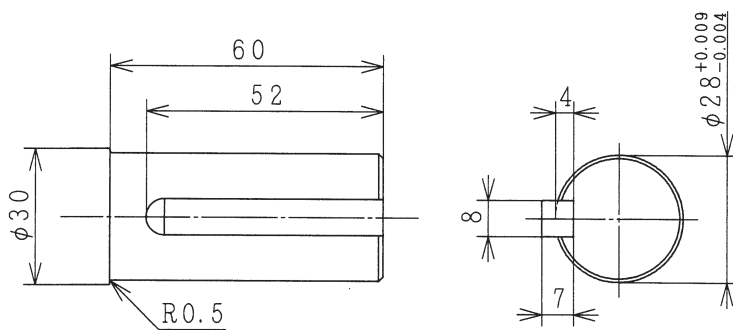
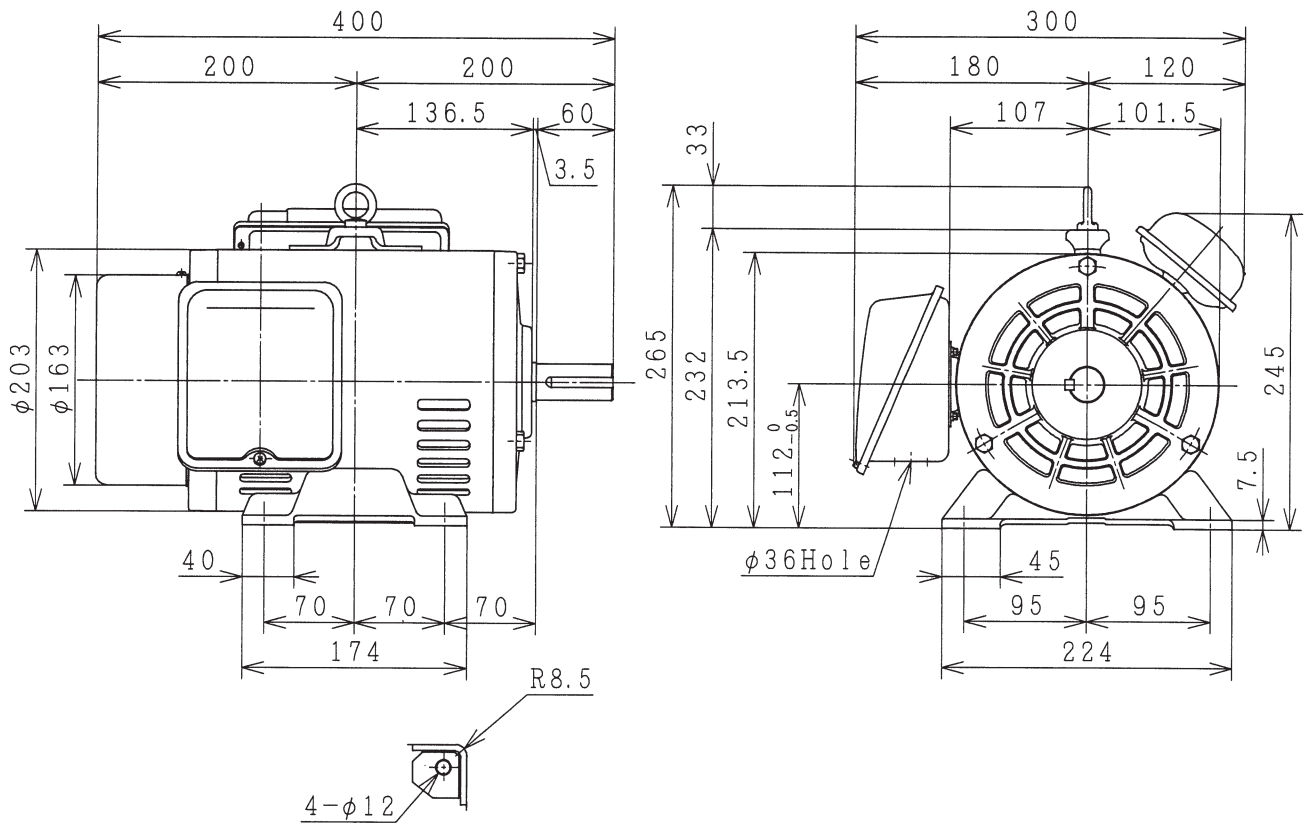


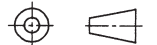
CAPACITOR START CAPACITOR RUN SINGLE PHASE INDUCTION MOTOR

OUTPUT	TYPE	FORM	RATING	VOLTAGE (V)	FREQ. (Hz)	SYNC. SPEED (min ⁻¹)	POLES	INS. CLASS	MASS (kg)
3HP	EFOUP	KQ	S1	220	50	1500	4	B	39



CONNECTION

PROJECTION



CUSTOMER			QTY.	ORDER No.	WORK No.	REV.		
DWN.	Y. Sattra	25-Apr-2024	<div style="font-size: 2em; font-weight: bold;">DIMENSIONS</div>		<div style="font-weight: bold; font-size: 1.2em;">HITACHI</div> <small>Hitachi Industrial Technology (Thailand), Ltd.</small>			
CHKD.	D.Hidech						HITT WORKS DWG. No.	SH.
APPD.	D.Hidech						4HTD05836	
FRAME SIZE			EFOUP-KQ (112)					