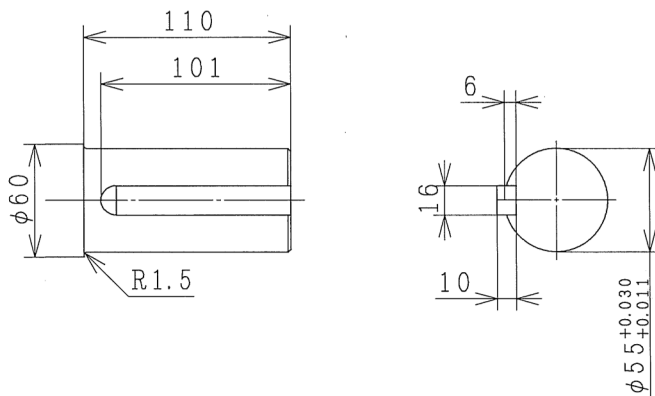
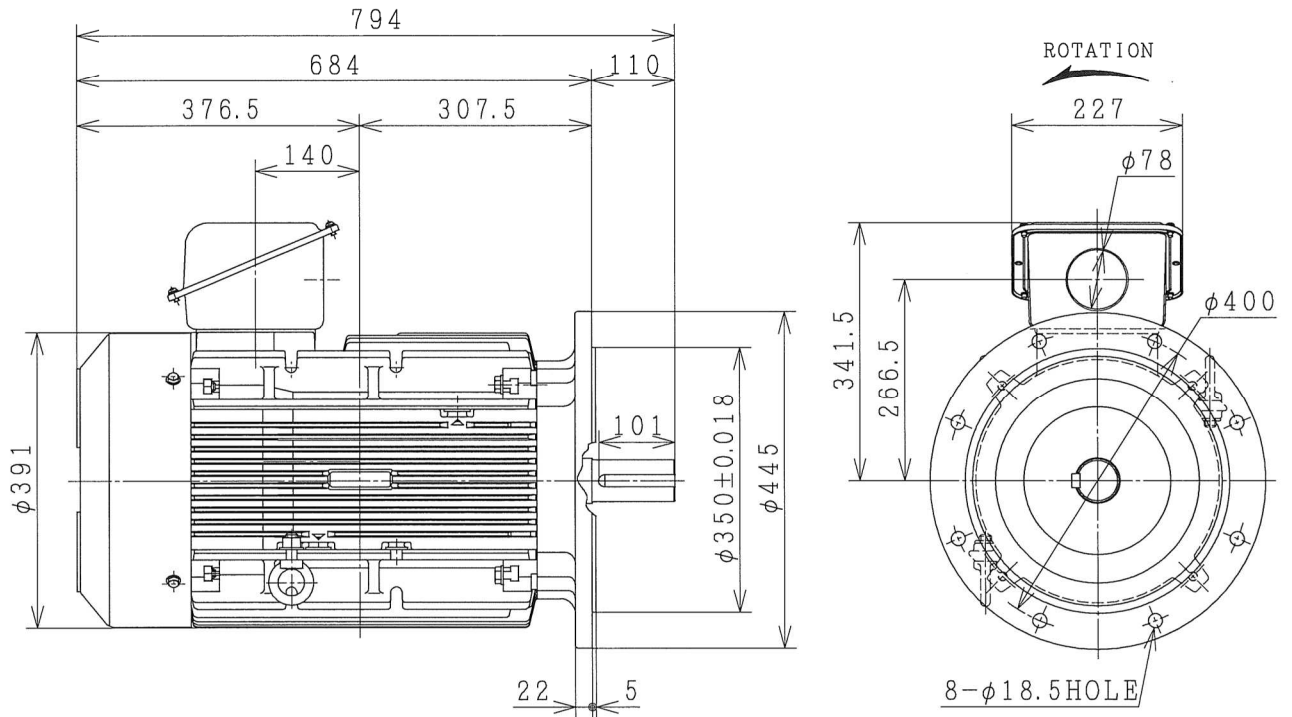


THREE-PHASE INDUCTION MOTOR

OUT PUT	TYPE	FORM	RATING	VOLTS	HERTZ	SYNC. SPEED (min ⁻¹)	POLES	TH. CLASS	MASS (kg)
50HP	VTFO	KK	S1	380/415	50	3000	2	F	
60HP	VTFO	KK	S1	380/415	50	3000	2	F	



PROTECTION IP44



CUSTOMER			QTY.	ORDER NO.	WORK NO.	REV.
DWN	S. WICHIAN	22-Jun-2016	HITACHI Hitachi Industrial Technology (Thailand), Ltd.		4HTD03459	SH.
CHKD	<i>D. Udeon</i>					
APPD	<i>P. Ramyong</i>					
FRAME SIZE			VTFOD-FF400 (200LB)			