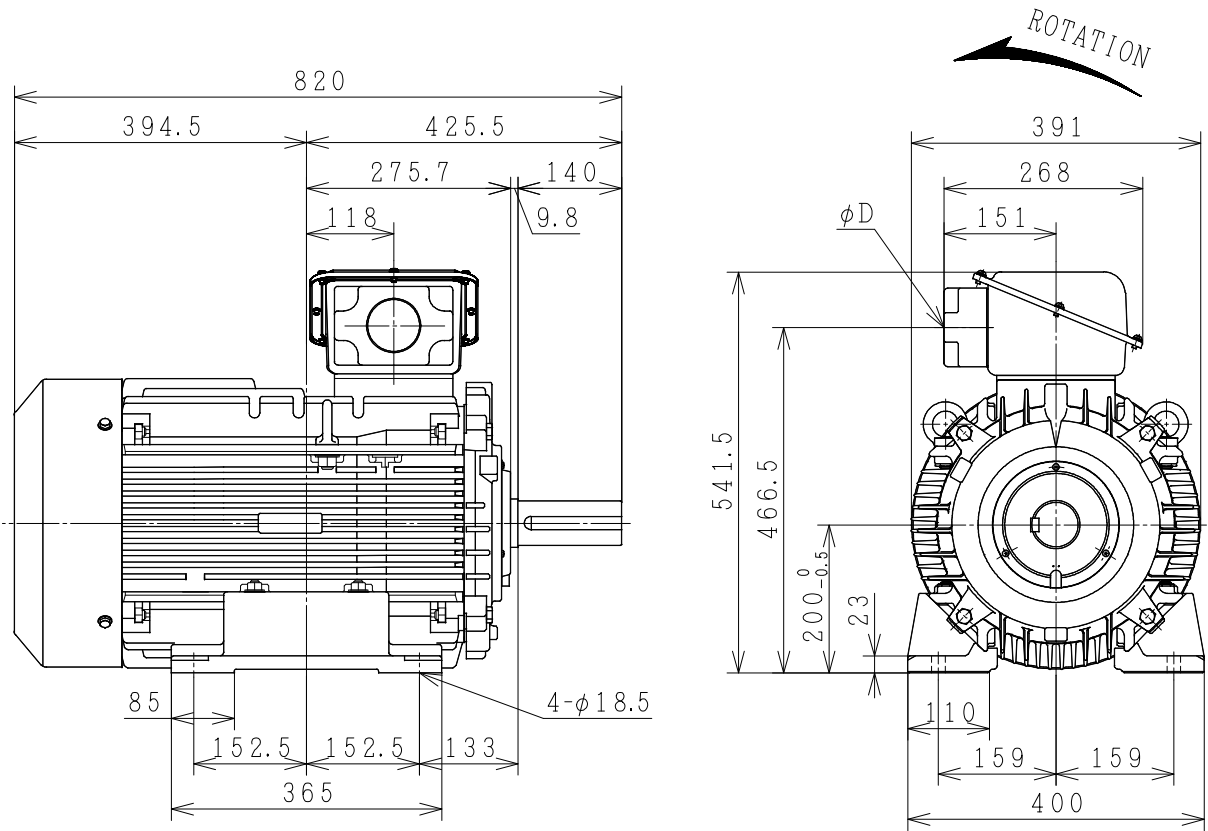
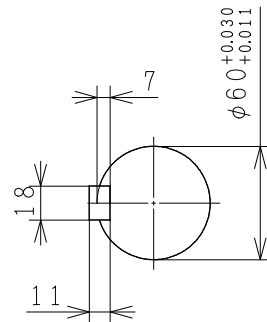
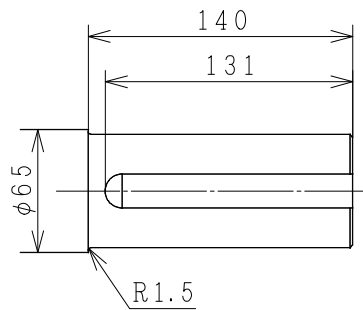


# THREE-PHASE INDUCTION MOTOR

OUTPUT	TYPE	FORM	RATING	VOLTAGE (V)	FREQ. (Hz)	SYNC. SPBED (min <sup>-1</sup> )	POLES	TH. CLASS	MASS (kg)
50HP	TFO	KK	S1	380/415	50	3000	2	F	200
60HP	TFO	KK	S1	380/415	50	3000	2	F	210
50HP	TFO	KK	S1	380/415	50	1500	4	F	210
60HP	TFO	KK	S1	380/415	50	1500	4	F	230
40HP	TFO	KK	S1	380/415	50	1000	6	F	220
50HP	TFO	KK	S1	380/415	50	1000	6	F	240

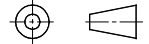


OUTPUT	POLES	φD
50HP	2P	PF2 <sup>1</sup> / <sub>2</sub>
60HP	2P	PF2 <sup>1</sup> / <sub>2</sub>
50HP	4P	PF2 <sup>1</sup> / <sub>2</sub>
60HP	4P	PF2 <sup>1</sup> / <sub>2</sub>
40HP	6P	PF2
50HP	6P	PF2 <sup>1</sup> / <sub>2</sub>



PROTECTION : IP55

PROJECTION



CUSTOMER	QTY.	ORDER No.	WORK No.	REV.
DIMENSIONS	<b>HITACHI</b> Hitachi Industrial Technology (Thailand), Ltd.		HITT WORKS DWG. No. 4HTD03378	SH.

FRAME SIZE TFOD-200L (TMHD)