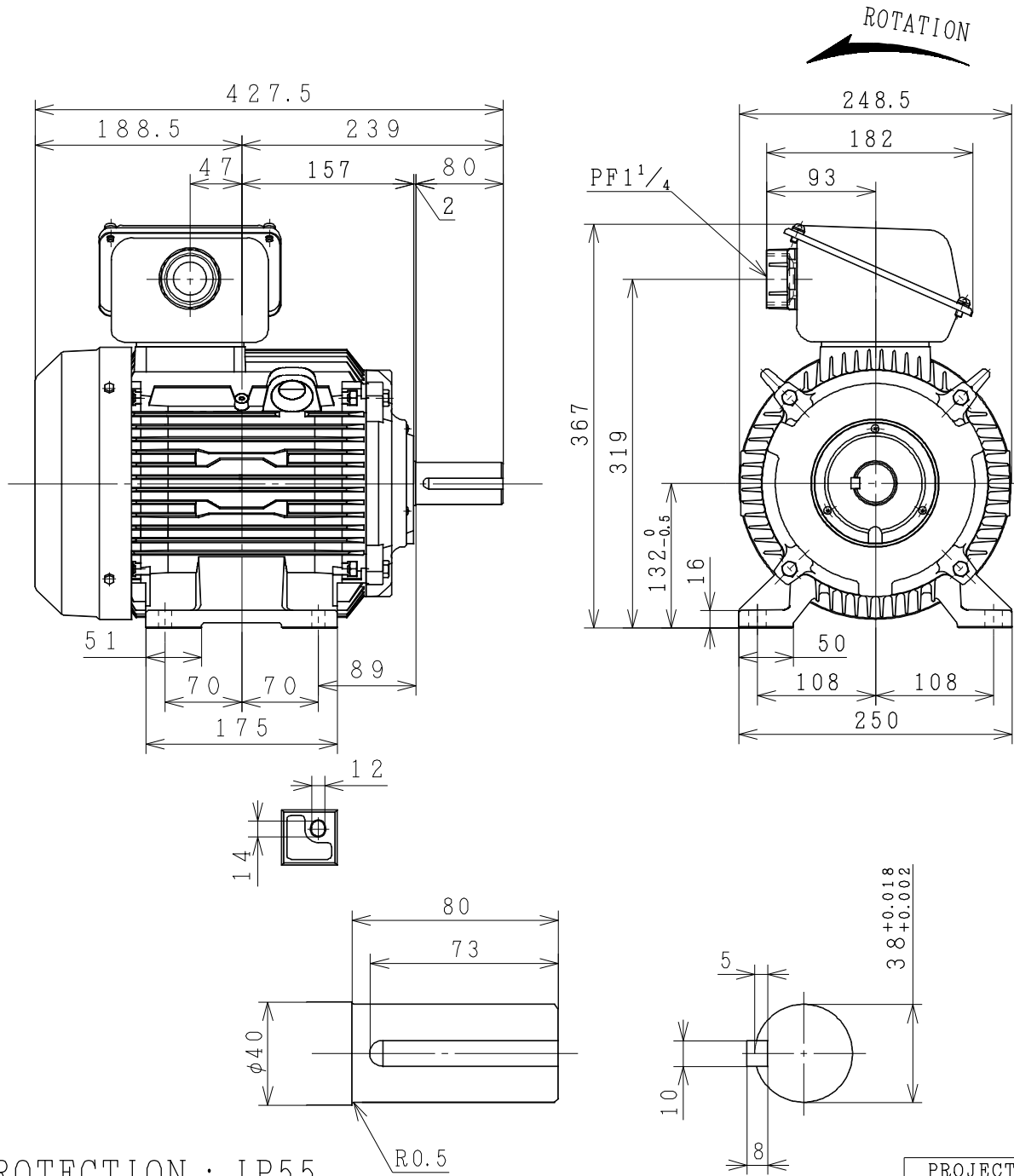


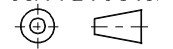
# THREE-PHASE INDUCTION MOTOR

OUTPUT	TYPE	FORM	RATING	VOLTAGE (V)	FREQ. (Hz)	SYNC. SPEED (min <sup>-1</sup> )	POLES	TH. CLASS	MASS (kg)
7.5HP	TF0	KK	S1	380/415	50	3000	2	B	39
10HP	TF0	KK	S1	380/415	50	3000	2	B	44
7.5HP	TF0	KK	S1	380/415	50	1500	4	B	40
5HP	TF0	KK	S1	380/415	50	1000	6	B	41



PROTECTION : IP55

PROJECTION



CUSTOMER	QTY.	ORDER No.	WORK No.	REV.
DIMENSIONS	<b>HITACHI</b> Hitachi Industrial Technology (Thailand), Ltd.		HITT WORKS DWG. No.	SH.
			4HTD03366	

FRAME SIZE TF0D-132S (TMHD)