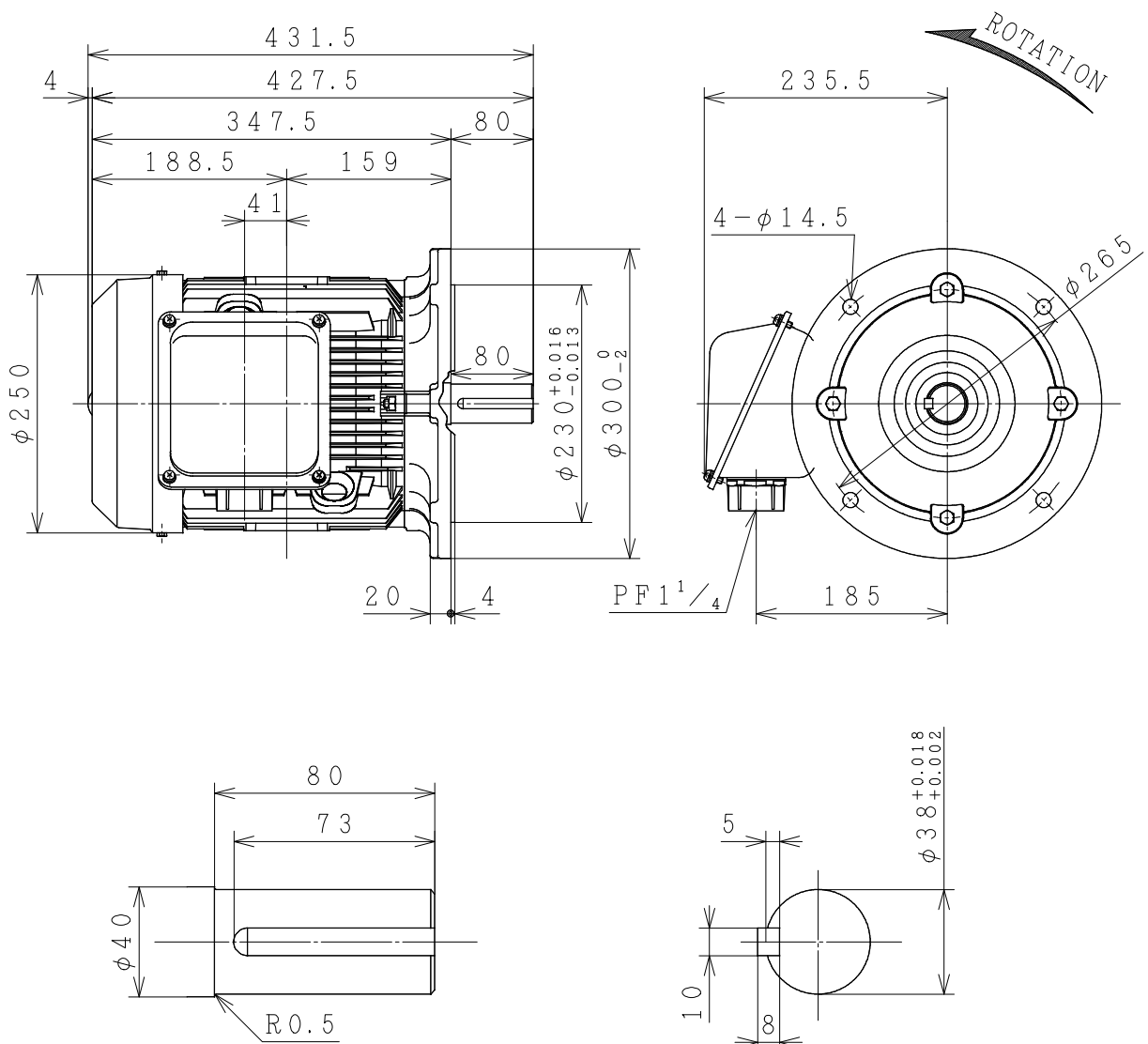
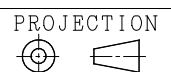


THREE-PHASE INDUCTION MOTOR

OUTPUT	TYPE	FORM	RATING	VOLTAGE (V)	FREQ. (Hz)	SYNC. SPEED (min ⁻¹)	POLES	INS. CLASS	MASS (kg)
7.5 HP	VTFO	KK	S1	380/415	50	3000	2	F	43
10 HP	VTFO	KK	S1	380/415	50	3000	2	F	48
7.5 HP	VTFO	KK	S1	380/415	50	1500	4	F	44
5 HP	VTFO	KK	S1	220/380	50	1000	6	F	45



PROTECTION : IP55



CUSTOMER			QTY.	ORDER No.	WORK No.	REV.
DWN. W.KANCHIT	10/DEC/14	S	HITACHI Hitachi Industrial Technology (Thailand), Ltd.		HITT WORKS DWG. No.	SH.
CHKD. N. Wicharn					4HTD02594	
APPD. T. Shimozono						
FRAME SIZE VTFOF (D) -132S (TMLD)						