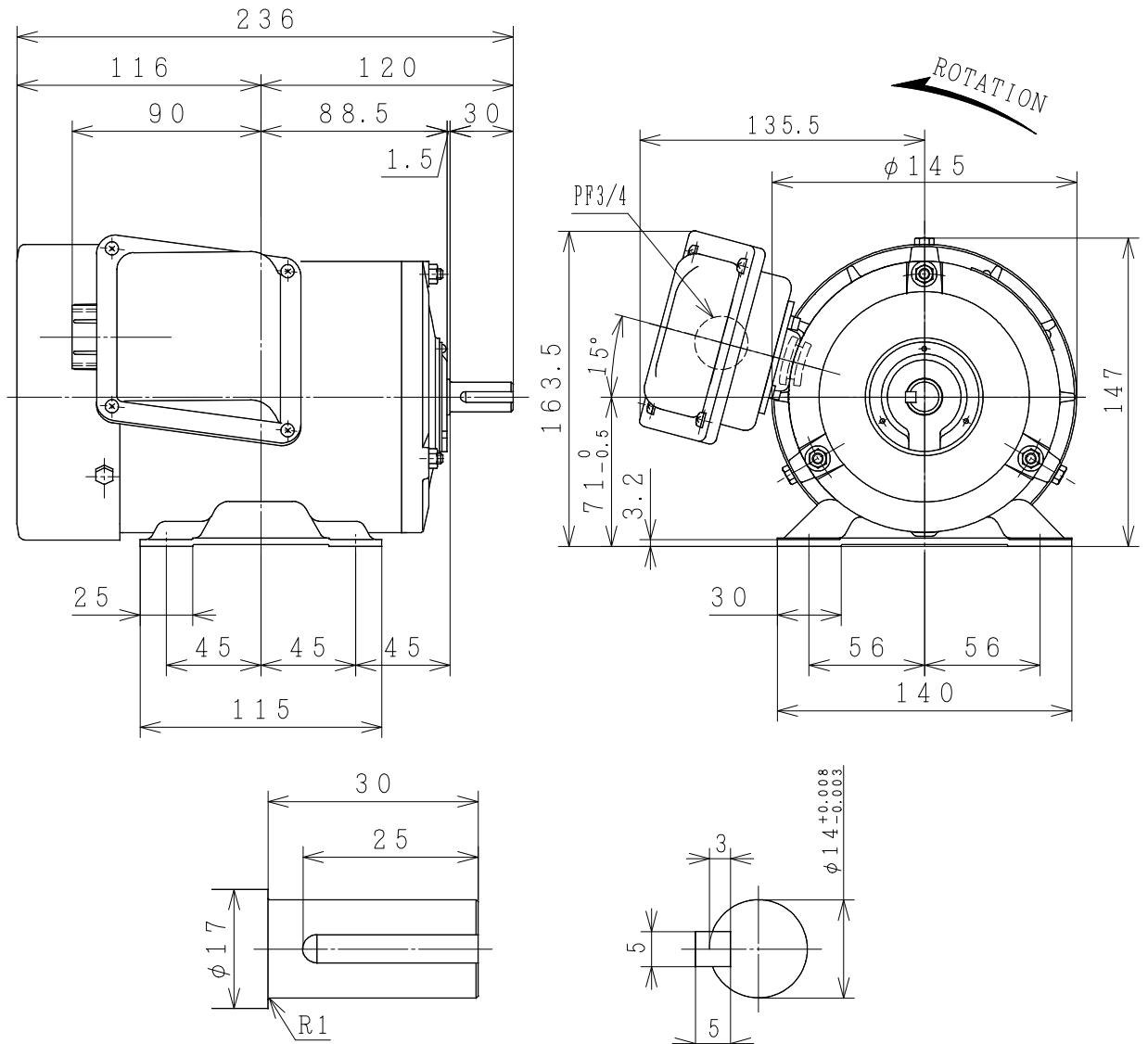


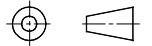
THREE-PHASE INDUCTION MOTOR

OUTPUT	TYPE	FORM	RATING	VOLTAGE (V)	FREQ. (Hz)	SYNC. SPEED (min ⁻¹)	POLES	INS. CLASS	MASS (kg)
1/2HP	TFO	K	S1	220/380	50	3000	2	F	9.5
1/2HP	TFO	K	S1	220/380	50	1500	4	F	8.2



PROTECTION : IP55

PROJECTION



CUSTOMER			QTY.	ORDER No.	WORK No.	REV.	
DWN.	C. ANAN	03-06-13	<div style="display: flex; justify-content: space-around; align-items: center;"> <div style="font-size: 2em; font-weight: bold;">DIMENSIONS</div> <div style="text-align: center;"> HITACHI <small>Hitachi Industrial Technology (Thailand), Ltd.</small> </div> </div>			HITT WORKS DWG. No.	SH.
CHKD.	W. THAWAT	S				4HTD02374	
APPD.	T. SHIMOZONO						
FRAME SIZE TFOB-71M (TMLR)							