


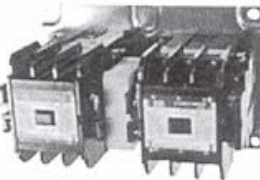


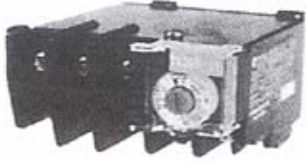



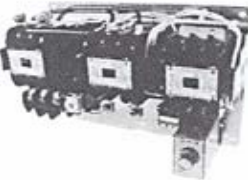



MAGNETIC STARTERS AND CONTACTORS

Types and Model

	Electromagnetic Contactors	Electromagnetic Starters	
		Without Enclosure	With Enclosure
Non-reversible Type	H <input type="text"/>	H <input type="text"/> -T	SH <input type="text"/> -T
			
	8C-800C frame	8C-600C frame	8C-600C frame
Reversible Type (20~800C frame :provided mechanical interlock)	H <input type="text"/> -R	H <input type="text"/> -RT	SH <input type="text"/> -RT
			
	10B-800C frame	10B-600C frame	10B-600C frame

Thermal Overload Relays	Electromagnetic Starters with 2E Thermal Overload Relay	DC operated Electromagnetic Contactors
TR <input type="text"/> (1E / 2E)	H / SH <input type="text"/> - (TK / RTK)	H <input type="text"/> - G
		
12B-600B	8C-600C frame	10~800C frame

Latched Contactors	Automatic Star- delta Starters	Contactors Relays
H <input type="text"/> - L	(S) Y <input type="text"/> - <input type="text"/> (S) Y4	X <input type="text"/>
		
10~600C frame	200V class : 5-75 frame 400V class : 11-110 frame	3 contacts - 8 contacts