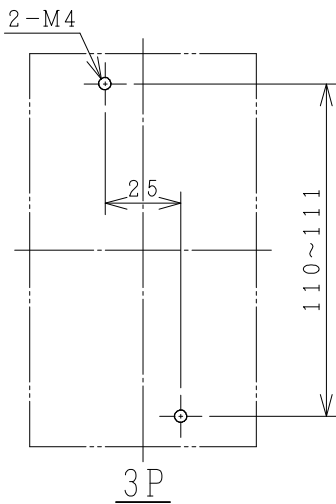
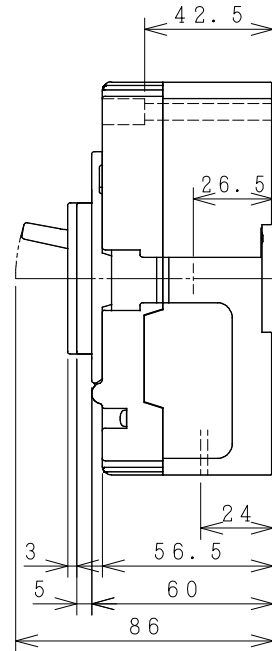
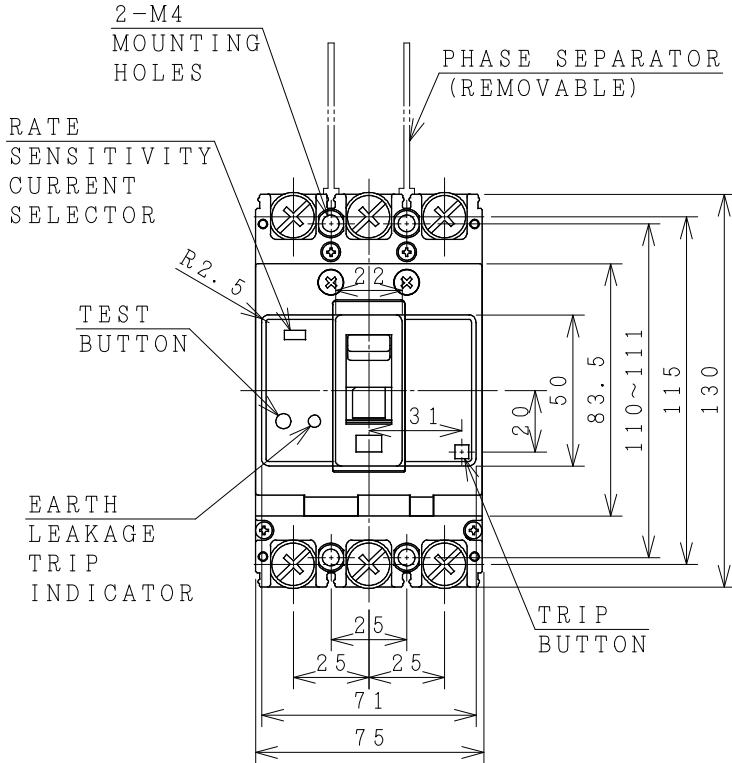
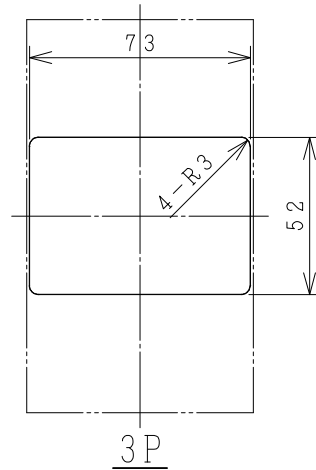


# HITACHI EARTH LEAKAGE CIRCUIT BREAKER

Type	Poles	Rated Insulation Voltage (Ui)	JIS C 8201-2-2		Rated Current	Base Ambient Temperature	Weight
			Icu/Ics [kA]	230V			
EXK125-SA	3	690	35/18	10/5	60 75 100 125 A	40	0.74
RXK125-SA			50/25	25/13	15 20 30 40 50 60 75 100 125 A		



DRILLING PLAN.



3P

FRONT PLATE CUTOUT.

THESE DIMENSIONS THE HEIGHT OF FRONT PLATE FROM BASE OF CASE TO COVER IS 68mm.  
-CLEARANCE 1mm ON EACH SIDE OF HANDLE.

ACCESSORIES		
Part	Size	Q'ty
Phase separator	-	4
Terminal screw/bolt (50A or less)	M5x14	6
Terminal screw/bolt (60A or more)	M8x14	6
Mounting screw	M4x55	2
Assistant handle	-	-
Interior accessories	AL, AUX, SHT	

DWN.	O. SITTICHAJ	09/07/20	PROJECTION	TITLE
CHKD.	<i>Ch. Chantak</i>			DIMENSION OF EXK125-SA, RXK125-SA
APPD.	<i>M. Sankha</i>		SCALE	
	<i>S. Sogai</i>		NTS.	
HITACHI Hitachi Industrial Technology (Thailand), Ltd.				HITT WORKS DWG. No.
				4HTN001270
				REV.
				00
				SH.
				01
				01

(Reference 33059471, 33059478.)

※REMARK

-DIMENSION UNIT = Millimeter (mm).