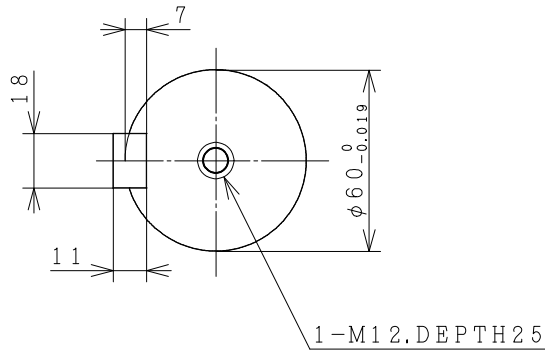
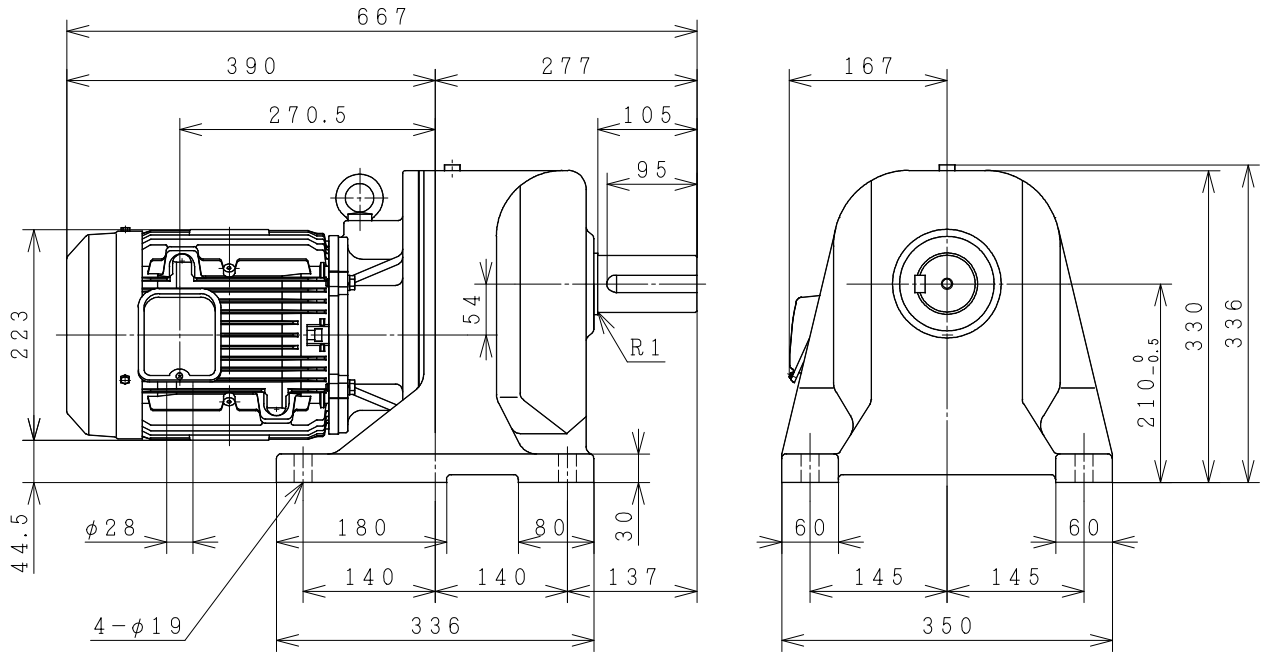


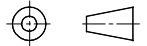
GEAR MOTOR

OUTPUT (kW)	TYPE	FORM	RATING	VOLTAGE (V)	FREQ. (Hz)	SPEED (min ⁻¹)	POLES	TH. CLASS	MASS (kg)
3.7	TFOG	K	S1	220/380	50	33	4	F	87

MODEL NO.
GH60-370-45



PROJECTION



CUSTOMER			QTY.	ORDER No.	WORK No.	REV.	
DWN.	D. ITTIDECH	24-Jul-2015	<div style="display: flex; justify-content: space-around; align-items: center;"> <div style="font-size: 2em; font-weight: bold;">DIMENSIONS</div> <div style="text-align: center;"> HITACHI <small>Hitachi Industrial Technology (Thailand), Ltd.</small> </div> </div>			HITT WORKS DWG. No.	SH.
CHKD.	M. KAMIZONO	S				4HTD03137	
APPD.	M. KAMIZONO						
FRAME SIZE (GH) 3.7kW 1/45							