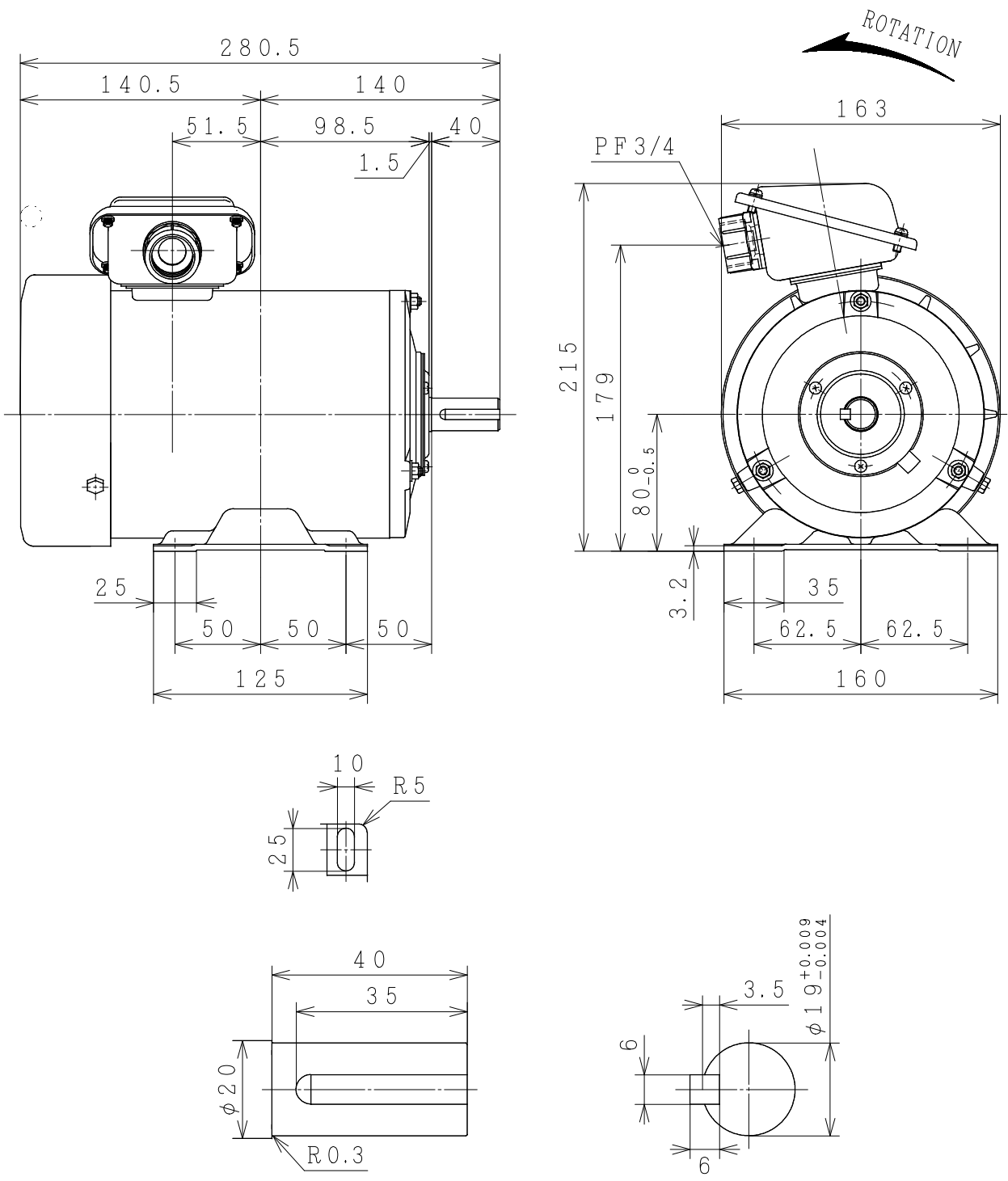
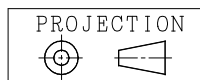


THREE-PHASE INDUCTION MOTOR

OUTPUT	TYPE	FORM	RATING	VOLTAGE (V)	FREQ. (Hz)	SYNC. SPBED (min ⁻¹)	POLES	TH. CLASS	MASS (kg)
1HP	TFO	HK	S1	220/380	50	3000	2	F	12.5



PROTECTION : IP55



CUSTOMER	QTY.	ORDER No.	WORK No.	REV.
----------	------	-----------	----------	------

DIMENSIONS	HITACHI Hitachi Industrial Technology (Thailand), Ltd.	HITT WORKS DWG. No. 4HTD03421	SH.
------------	--	----------------------------------	-----

FRAME SIZE TFOF (H) -80M (TMHD)