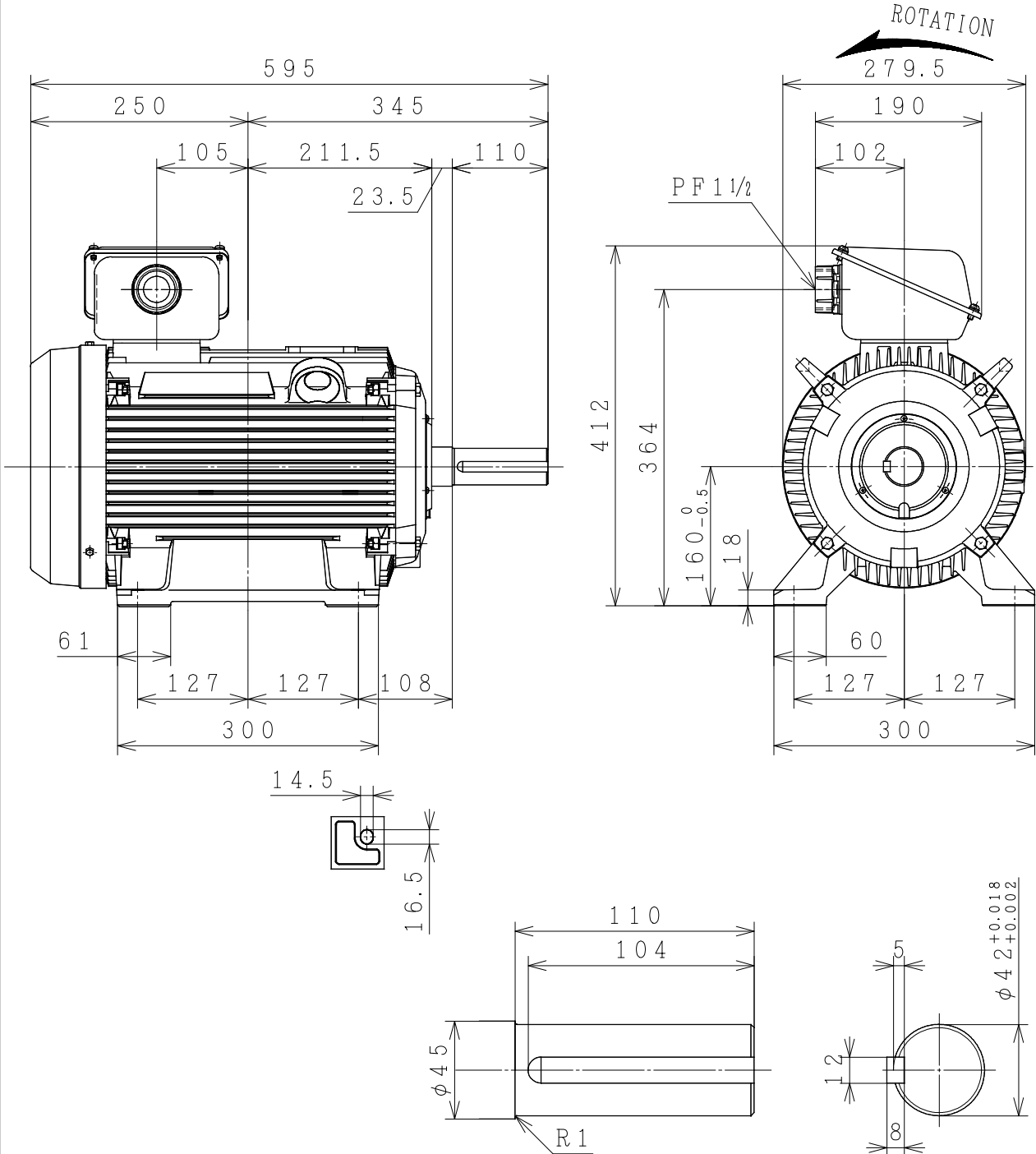
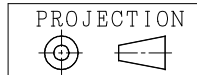


THREE-PHASE INDUCTION MOTOR

| OUTPUT | TYPE | FORM | RATING | VOLTAGE (V) | FREQ. (Hz) | SYNC. SPBBD (min ⁻¹) | POLES | TH. CLASS | MASS (kg) |
|--------|------|------|--------|-------------|------------|----------------------------------|-------|-----------|-----------|
| 25HP | TFO | HKK | S1 | 380/415V | 50 | 1500 | 2 | F | 93 |
| 20HP | TFO | HKK | S1 | 380/415V | 50 | 1500 | 4 | F | 77 |
| 15HP | TFO | HKK | S1 | 380/415V | 50 | 1500 | 6 | F | 76 |



PROTECTION : IP55



| | | | | |
|------------|--|-----------|----------------------------------|------|
| CUSTOMER | QTY. | ORDER No. | WORK No. | REV. |
| DIMENSIONS | HITACHI Hitachi Industrial Technology (Thailand), Ltd. | | HITT WORKS DWG. No. 4HTD03396 | SH. |

FRAME SIZE TFOF (H) -160L (TMHD)