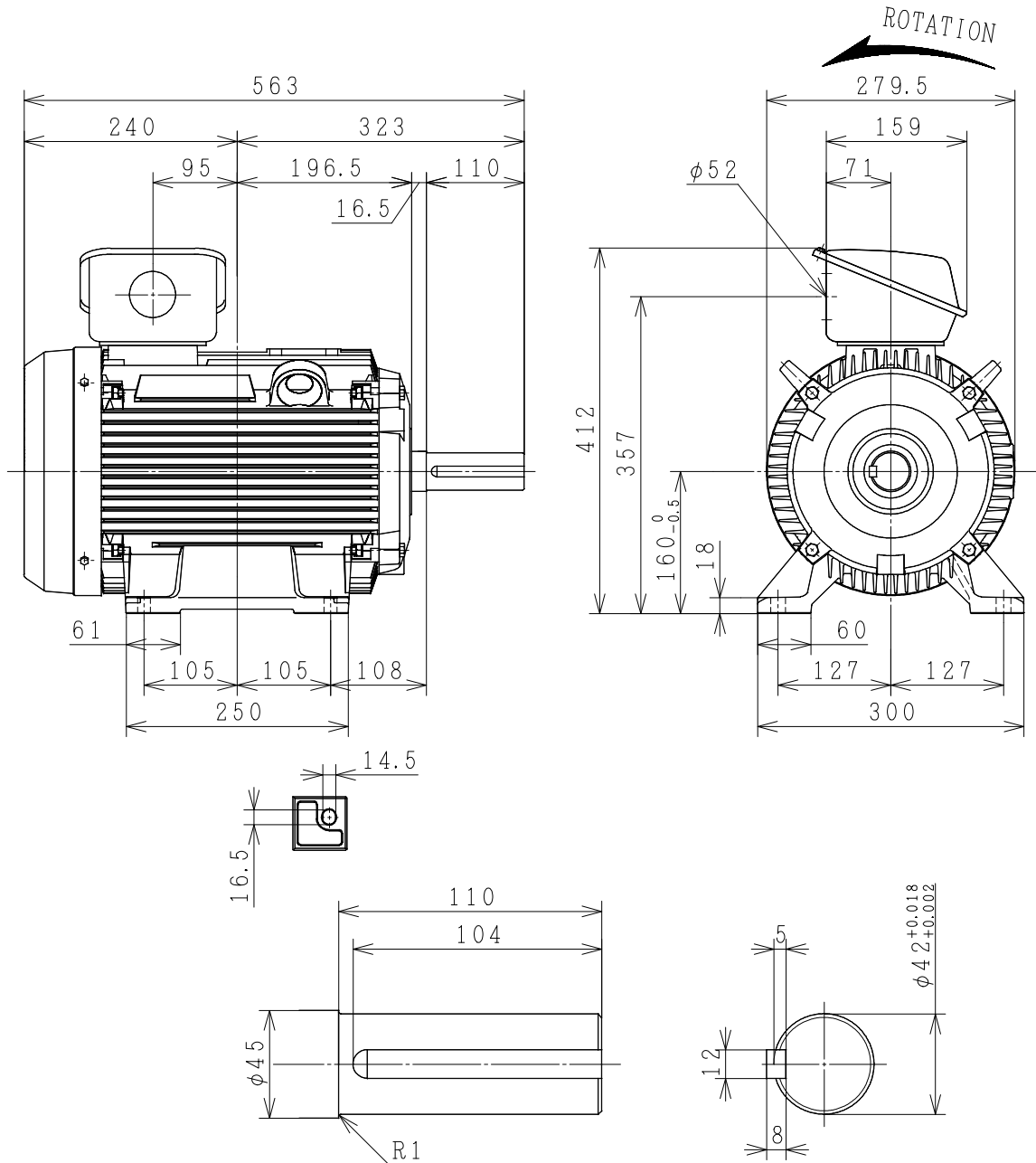


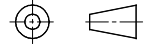
THREE-PHASE INDUCTION MOTOR

OUTPUT	TYPE	FORM	RATING	VOLTAGE (V)	FREQ. (Hz)	SYNC. SPBBD (min ⁻¹)	POLES	TH. CLASS	MASS (kg)
15HP	TFO	HKK	S1	380/415	50	3000	2	B	69
20HP	TFO	HKK	S1	380/415	50	3000	2	B	78
15HP	TFO	HKK	S1	380/415	50	1500	4	B	73
10HP	TFO	HKK	S1	380/415	50	1000	6	B	70



PROTECTION : IP44

PROJECTION



CUSTOMER	QTY.	ORDER No.	WORK No.	REV.
DIMENSIONS	HITACHI Hitachi Industrial Technology (Thailand), Ltd.		HITT WORKS DWG. No. 4HTD03393	SH.

FRAME SIZE TFOF (H) -160M (TMHD)