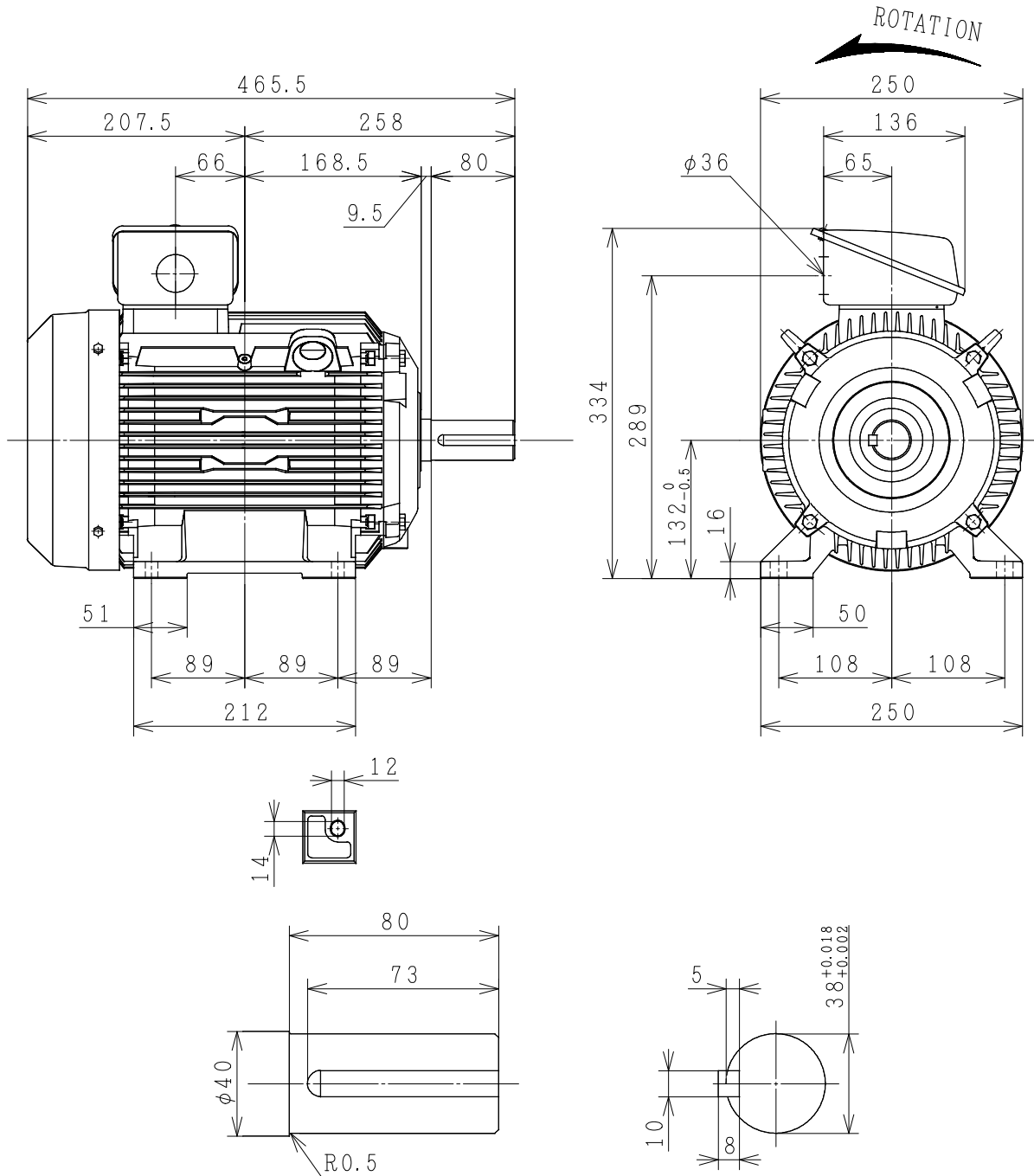
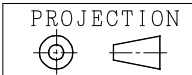


THREE-PHASE INDUCTION MOTOR

OUTPUT	TYPE	FORM	RATING	VOLTAGE (V)	FREQ. (Hz)	SYNC. SPEED (min ⁻¹)	POLES	TH. CLASS	MASS (kg)
7.5HP	TFO	HKK	S1	380/415	50	1000	6	B	62
10HP	TFO	HKK	S1	380/415	50	1500	4	B	63



PROTECTION : IP44



CUSTOMER	QTY.	ORDER No.	WORK No.	REV.
DIMENSIONS	HITACHI Hitachi Industrial Technology (Thailand), Ltd.		HITT WORKS DWG. No. 4HTD03391	SH.

FRAME SIZE TFOF (H) -132M (TMHD)