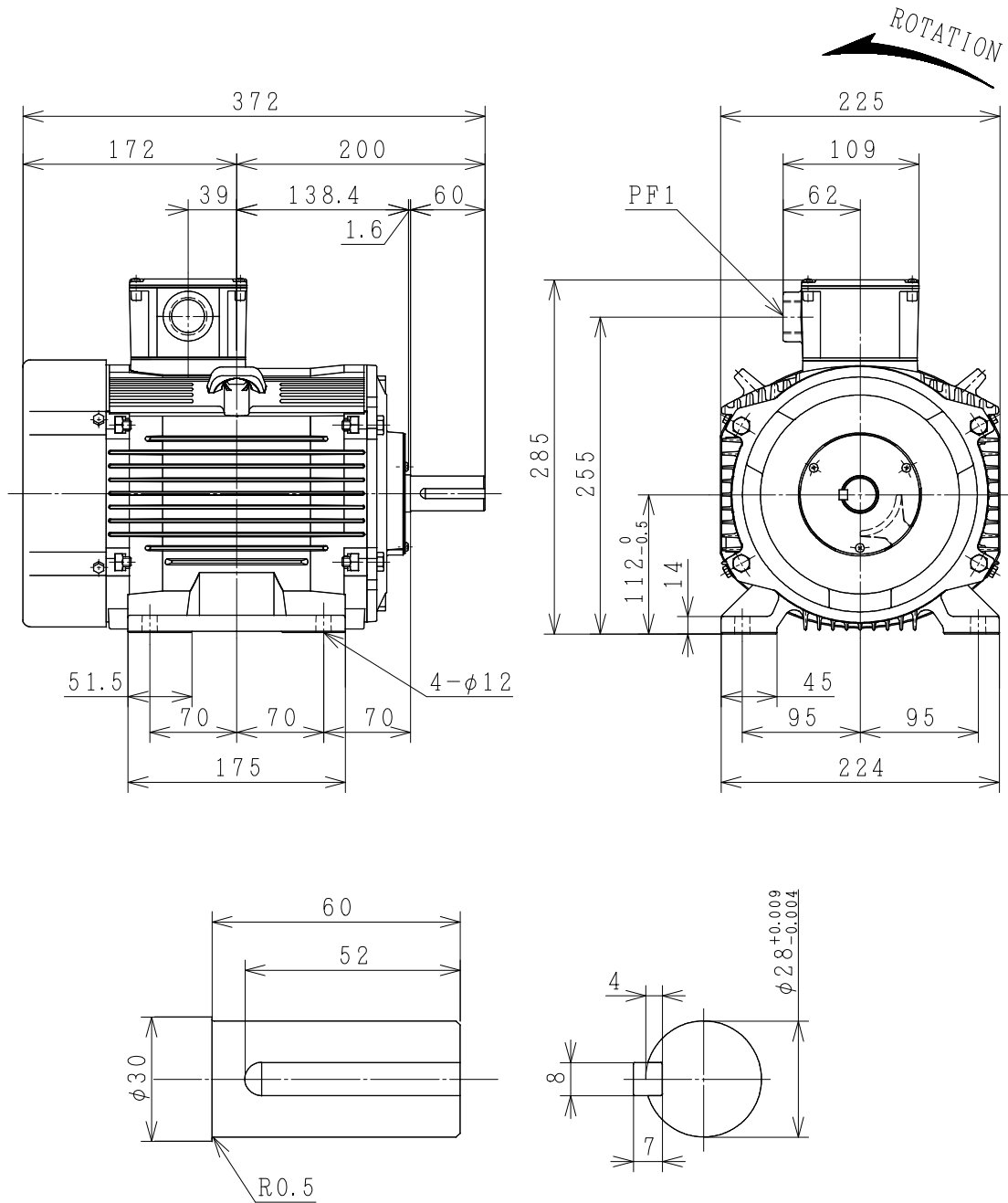


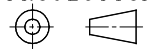
THREE-PHASE INDUCTION MOTOR

OUTPUT	TYPE	FORM	RATING	VOLTAGE (V)	FREQ. (Hz)	SYNC. SPBBD (min ⁻¹)	POLES	TH. CLASS	MASS (kg)
5HP	TFO	HK	S1	220/380	50	3000	2	F	37.5
5HP	TFO	HK	S1	220/380	50	1500	4	F	36.4
3HP	TFO	HK	S1	220/380	50	1000	6	F	39.5



PROTECTION : IP55

PROJECTION



CUSTOMER	QTY.	ORDER No.	WORK No.	REV.
DIMENSIONS	HITACHI Hitachi Industrial Technology (Thailand), Ltd.		HITT WORKS DWG. No.	SH.
			4HTD03388	

FRAME SIZE TFOF (H) -112M (TMHD)