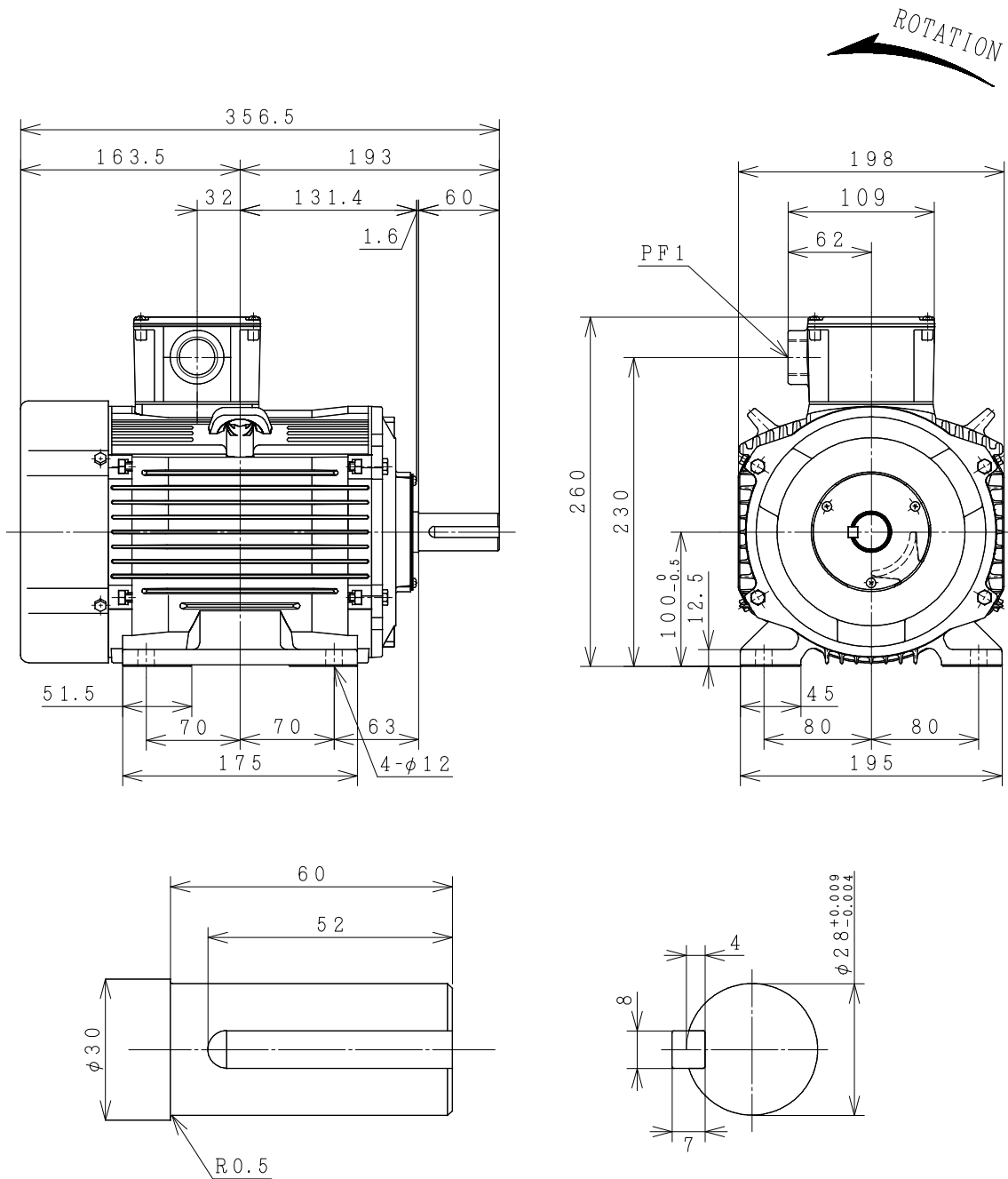
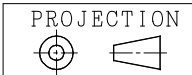


# THREE-PHASE INDUCTION MOTOR

OUTPUT	TYPE	FORM	RATING	VOLTAGE (V)	FREQ. (Hz)	SYNC. SPBBD (min <sup>-1</sup> )	POLES	TH. CLASS	MASS (kg)
3HP	TFO	HK	S1	220/380	50	1500	4	F	27.5
2HP	TFO	HK	S1	220/380	50	1000	6	F	30.0



PROTECTION : IP55



CUSTOMER	QTY.	ORDER No.	WORK No.	REV.
DIMENSIONS	<b>HITACHI</b> Hitachi Industrial Technology (Thailand), Ltd.		HITT WORKS DWG. No. 4HTD03386	SH.

FRAME SIZE TFOF (H) -100L (TMHD)