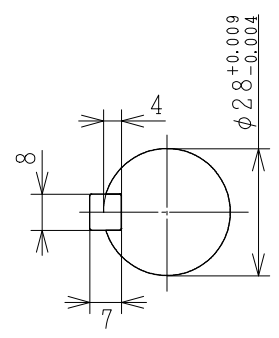
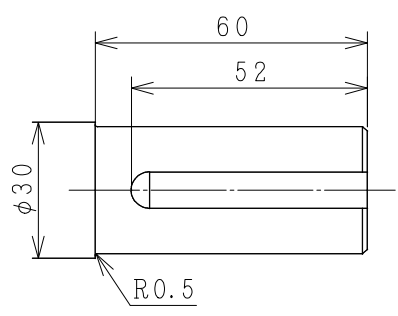
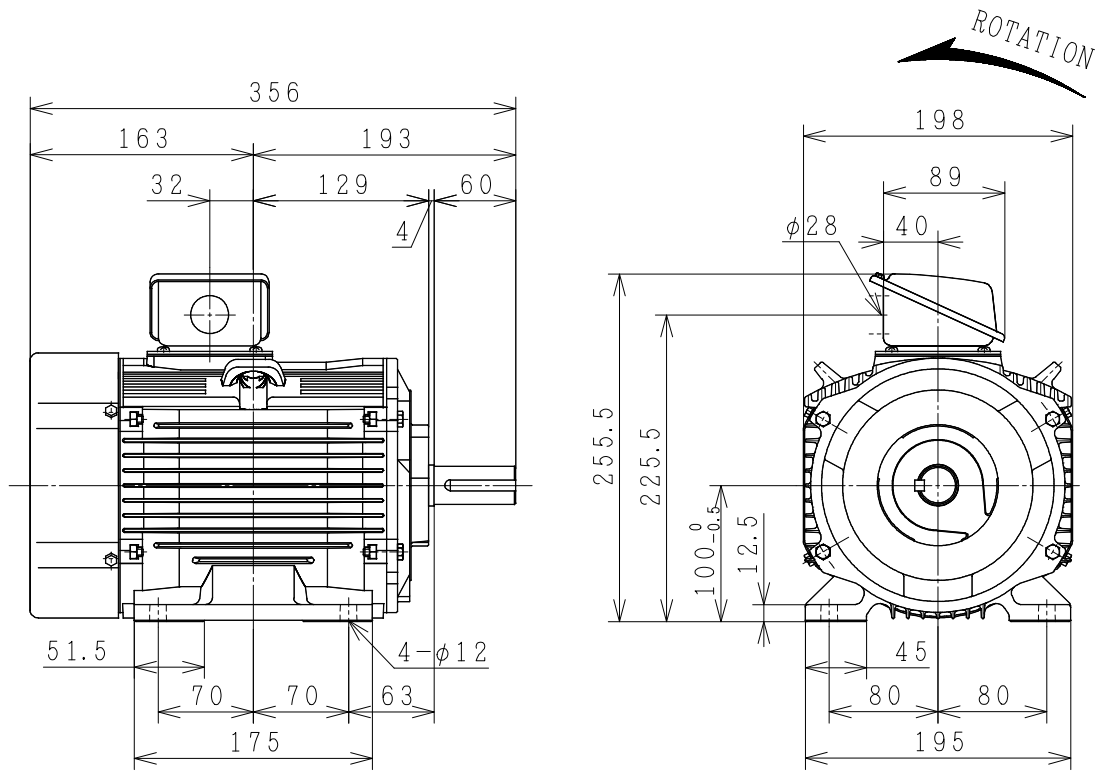
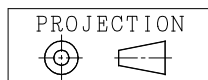


THREE-PHASE INDUCTION MOTOR

OUTPUT	TYPE	FORM	RATING	VOLTAGE (V)	FREQ. (Hz)	SYNC. SPBBD (min ⁻¹)	POLES	TH. CLASS	MASS (kg)
3HP	TFO	HK	S1	220/380	50	1500	4	B	27.5
2HP	TFO	HK	S1	220/380	50	1000	6	B	30.0



PROTECTION : IP44



CUSTOMER	QTY.	ORDER No.	WORK No.	REV.
----------	------	-----------	----------	------

DIMENSIONS	HITACHI Hitachi Industrial Technology (Thailand), Ltd.	HITT WORKS DWG. No. 4HTD03385	SH.
------------	--	----------------------------------	-----

FRAME SIZE TFOF (H) -100L (TMHD)