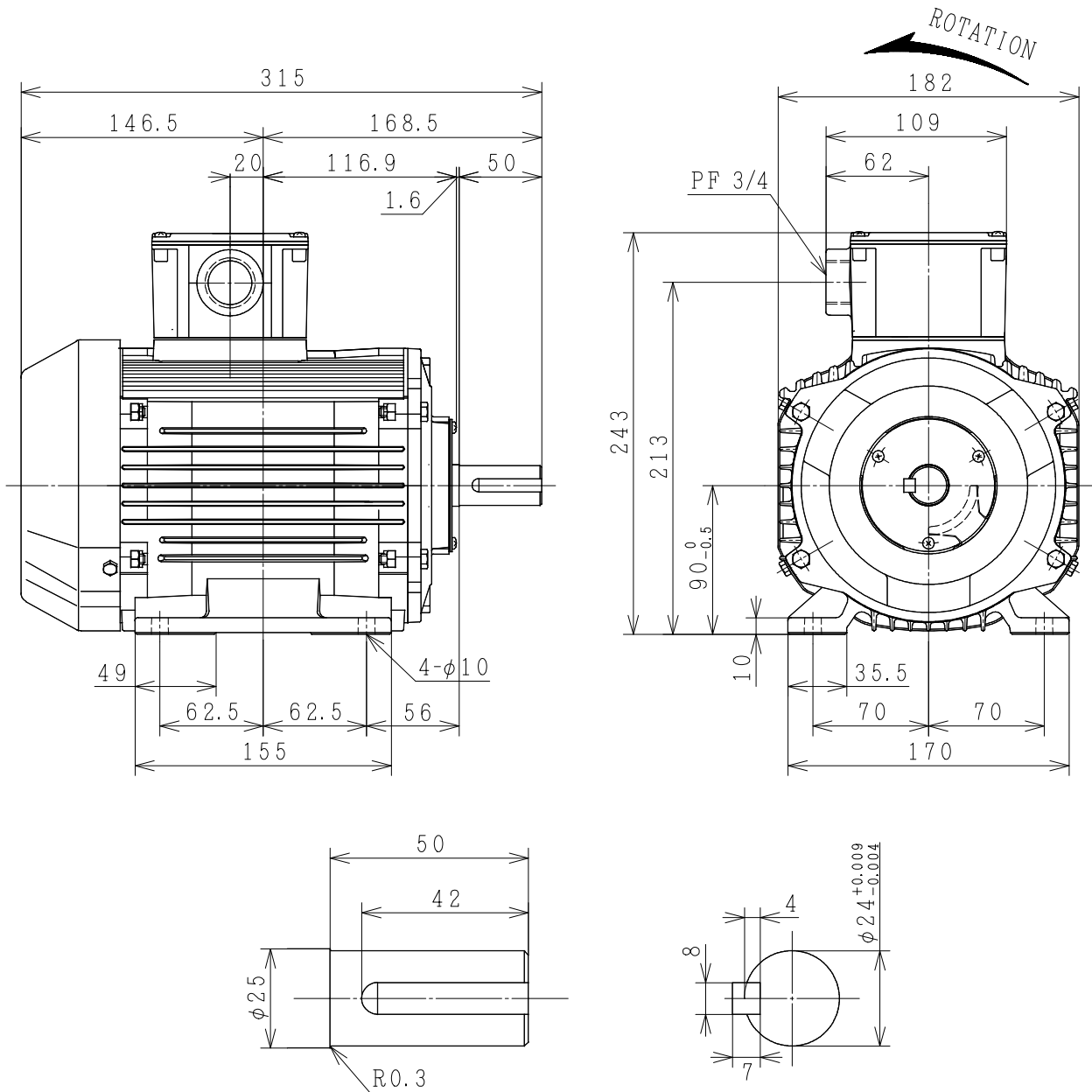
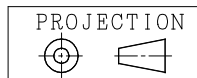


THREE-PHASE INDUCTION MOTOR

OUTPUT	TYPE	FORM	RATING	VOLTAGE (V)	FREQ. (Hz)	SYNC. SPBED (min ⁻¹)	POLES	TH. CLASS	MASS (kg)
2HP	TFO	HK	S1	220/380	50	3000	2	F	19.0
3HP	TFO	HK	S1	220/380	50	3000	2	F	20.0
2HP	TFO	HK	S1	220/380	50	1500	4	F	19.0
1HP	TFO	HK	S1	220/380	50	1000	6	F	21.5



PROTECTION : IP55



CUSTOMER	QTY.	ORDER No.	WORK No.	REV.
DIMENSIONS	HITACHI Hitachi Industrial Technology (Thailand), Ltd.		HITT WORKS DWG. No.	SH.
			4HTD03384	

FRAME SIZE TFOF (H) -90L (TMHD)