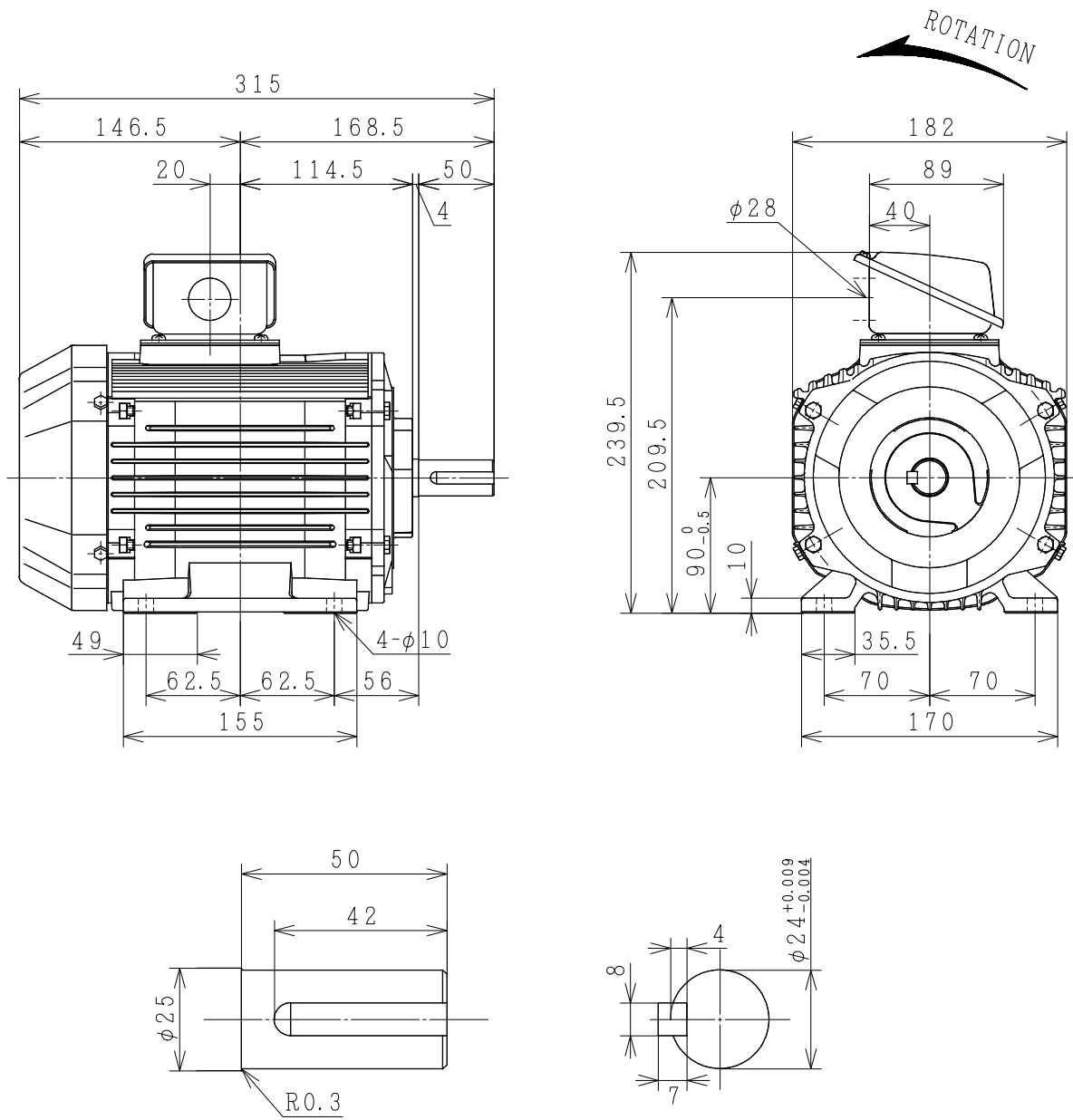
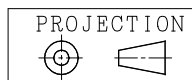


THREE-PHASE INDUCTION MOTOR

OUTPUT	TYPE	FORM	RATING	VOLTAGE (V)	FREQ. (Hz)	SYNC. SPBBD (min ⁻¹)	POLES	TH. CLASS	MASS (kg)
2HP	TFO	HK	S1	220/380	50	3000	2	B	18.0
3HP	TFO	HK	S1	220/380	50	3000	2	B	20.0
2HP	TFO	HK	S1	220/380	50	1500	4	B	19.0
1HP	TFO	HK	S1	220/380	50	1000	6	B	21.0



PROTECTION : IP44



CUSTOMER	QTY.	ORDER No.	WORK No.	REV.
DIMENSIONS	HITACHI Hitachi Industrial Technology (Thailand), Ltd.		HITT WORKS DWG. No. 4HTD03383	SH.
	FRAME SIZE TFOF (H) -90L (TMHD)			