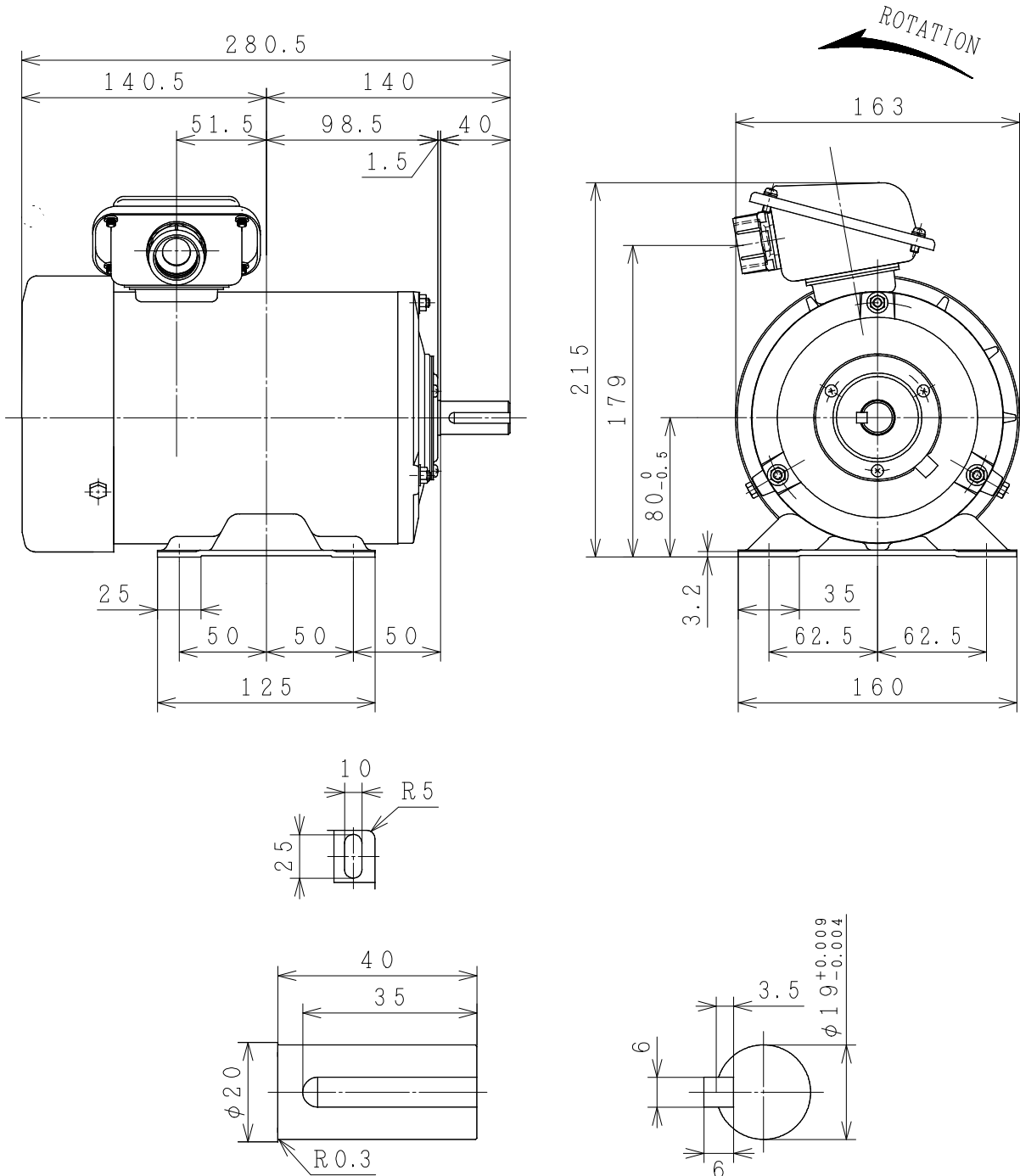


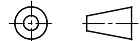
# THREE-PHASE INDUCTION MOTOR

OUTPUT	TYPE	FORM	RATING	VOLTAGE (V)	FREQ. (Hz)	SYNC. SPEED (min <sup>-1</sup> )	POLES	TH. CLASS	MASS (kg)
1HP	TFO	HK	S1	220/380	50	1500	4	F	14.5
1/2HP	TFO	HK	S1	220/380	50	1000	6	F	12.0



PROTECTION : IP55

PROJECTION



CUSTOMER	QTY.	ORDER No.	WORK No.	REV.
<h1 style="font-size: 2em;">DIMENSIONS</h1>	<b>HITACHI</b> Hitachi Industrial Technology (Thailand), Ltd.		HITT WORKS DWG. No. <b>4HTD03382</b>	SH.
	FRAME SIZE TFOF (H) -80M (TMHD)			