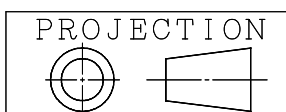
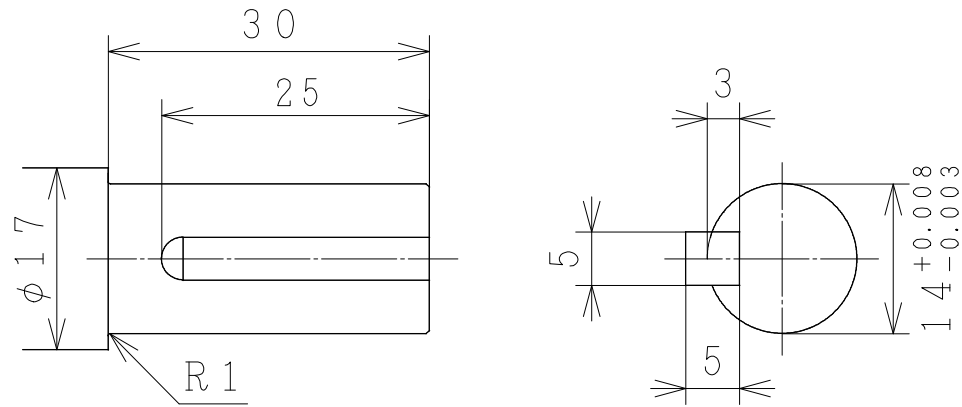
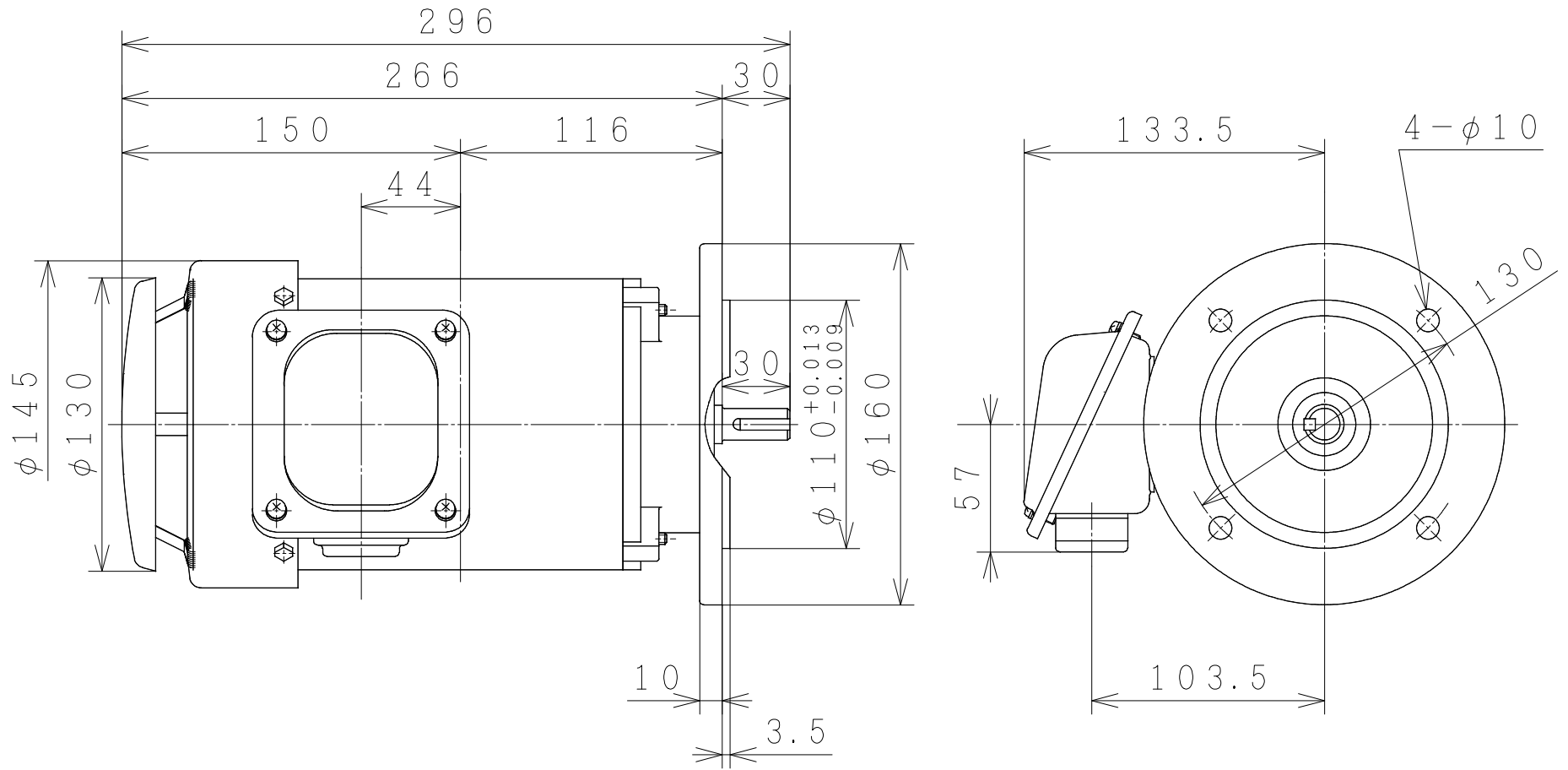


# THREE-PHASE INDUCTION MOTOR

OUTPUT	TYPE	FORM	RATING	VOLTAGE (V)	FREQ. (Hz)	SYNC. SPEED $\text{min}^{-1}$	POLES	INS. CLASS	WEIGHT
1/2HP	VTFO	HK	S1	220/380	50	3000	2	F	12.5
1/2HP	VTFO	HK	S1	220/380	50	3000	4	F	14



CUSTOMER			QTY.	ORDER NO.	WORK NO.		
DWN.	S. JATUPONG	17-Nov-2015	<div style="display: flex; align-items: center; justify-content: center;"> <div style="font-size: 2em; margin-right: 10px;">}</div> <div style="font-size: 2em; margin-right: 10px;">}</div> <div style="font-size: 2em;">DIMENSIONS</div> </div>		<div style="display: flex; align-items: center; justify-content: center;"> <div style="text-align: center;"> <b>HITACHI</b>  <small>Hitachi Industrial Technology (Thailand), Ltd.</small> </div> <div style="margin-left: 20px; font-size: 1.5em;">4HTD03293</div> </div>		REV.
CHKD.	W. THAWAT						
APPD.	M. HIGASHIHARA						
FRAME SIZE VTFOAH-FF130 (71M)							