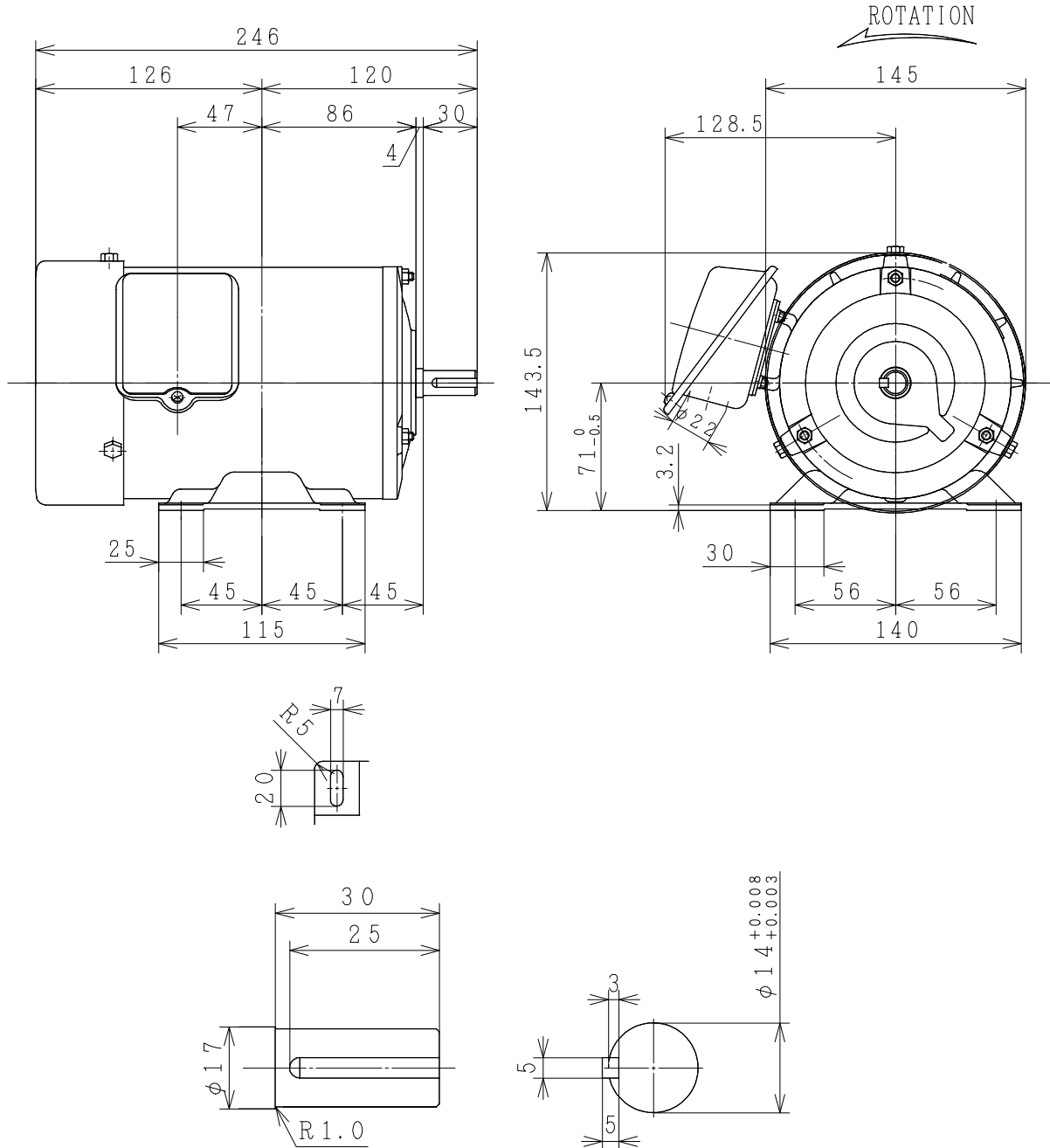


THREE-PHASE INDUCTION MOTOR

OUTPUT	TYPE	FORM	RATING	VOLTAGE (V)	FREQ. (Hz)	SYNC. SPEED min^{-1}	POLES	INS. CLASS	WEIGHT
1/2HP	TFO	HK	S1	220/380	50	3000	2	B	11
1/2HP	TFO	HK	S1	220/380	50	1500	4	B	11



PROJECTION

CUSTOMER			QTY.	ORDER NO.	WORK NO.	
DWN. S. JATUPONG	23-DEC-2014	S	DIMENSIONS		HITACHI <small>Hitachi Industrial Technology (Thailand), Ltd.</small>	4HTD03287
CHKD. N. WICHARN						REV.
APPD. U. SOMBOON						
FRAME SIZE TFO-71M (TMLD)						