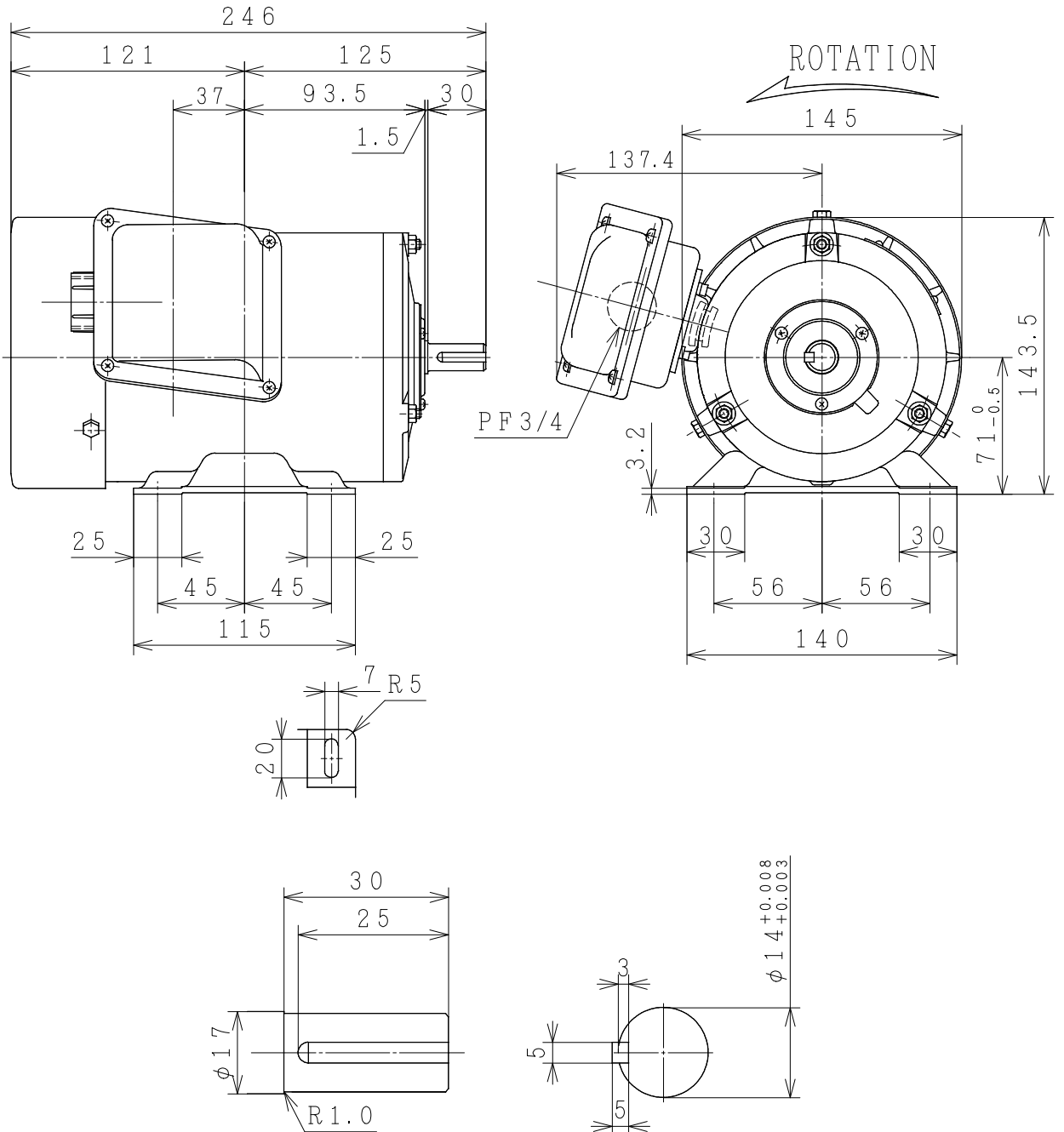


THREE-PHASE INDUCTION MOTOR

OUTPUT	TYPE	FORM	RATING	VOLTAGE (V)	FREQ. (Hz)	SYNC. SPEED min^{-1}	POLES	INS. CLASS	WEIGHT
1/2HP	TFO	HK	S1	220/380	50	3000	2	F	11
1/2HP	TFO	HK	S1	220/380	50	1500	4	F	11



CUSTOMER			QTY.	ORDER NO.	WORK NO.	
DWN. W. kanchit	20-Oct-2014	}	HITACHI Hitachi Industrial Technology (Thailand), Ltd.		4HTD02964	REV.
CHKD. N. WICHARN			DIMENSIONS			
APPD. U. SOMBOON			FRAME SIZE TFOB-71M (TMLR)			