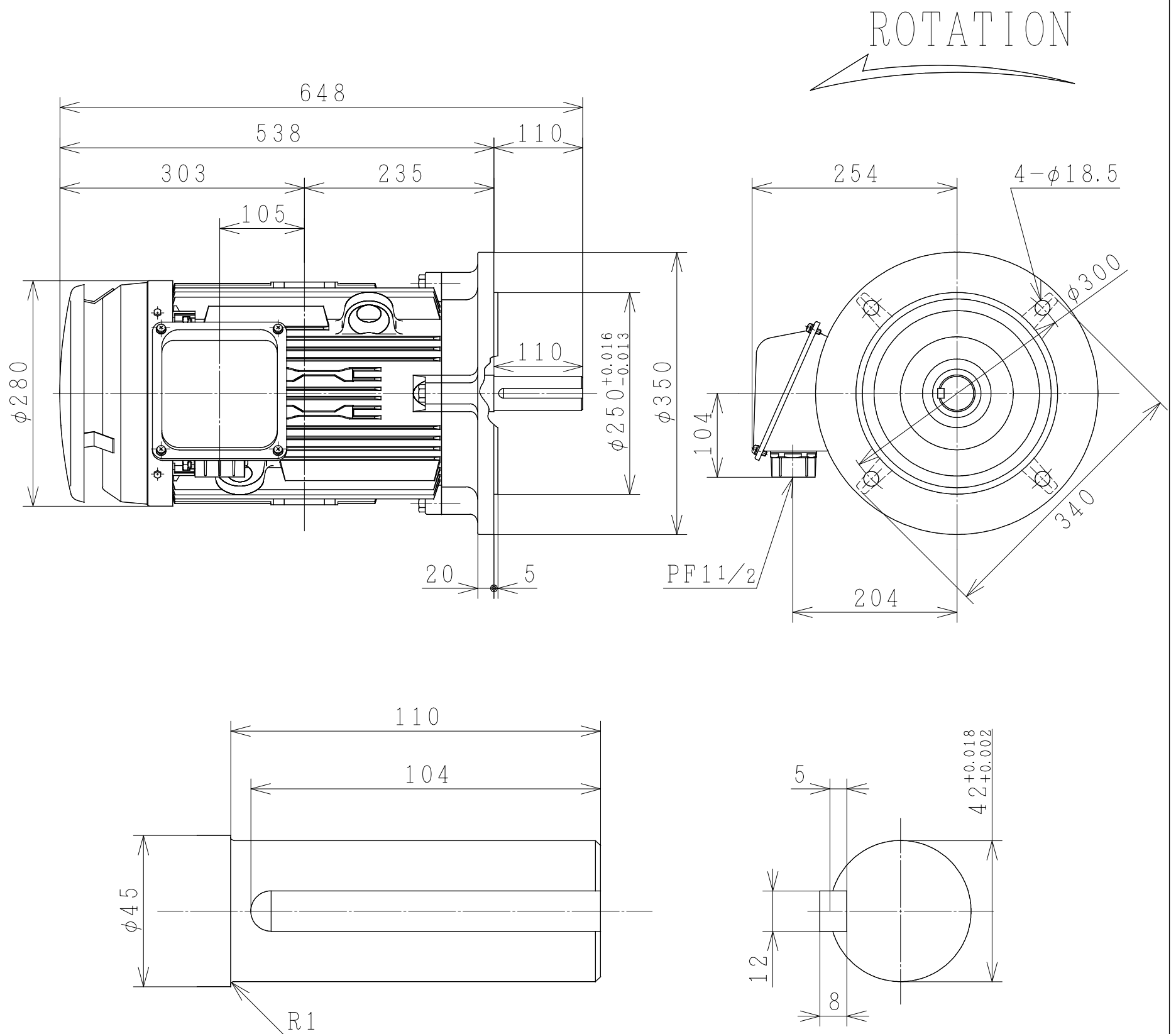
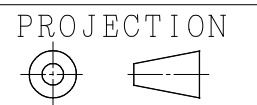


THREE-PHASE INDUCTION MOTOR

OUTPUT	TYPE	FORM	RATING	VOLTAGE (V)	FREQ. (Hz)	SYNC. SPEED (min ⁻¹)	POLES	INS. CLASS	MASS (kg)
25HP	TFO	HKK	S1	380/415V	50	3000	2	F	101
20HP	TFO	HKK	S1	380/415V	50	1500	4	F	96
15HP	TFO	HKK	S1	380/415V	50	1000	6	F	85



PROTECTION: IP55



CUSTOMER			QTY.	ORDER No.	WORK No.	REV.
DWN.	P. Tianchai	23-Apr-14	<div style="font-size: 36px; font-weight: bold;">DIMENSIONS</div> <div style="font-weight: bold; margin-top: 5px;">HITACHI</div> <small>Hitachi Industrial Technology (Thailand), Ltd.</small>		HITT WORKS DWG. No.	SH.
CHKD.	N. WICHARN				4HTD02861	
APPD.	M. HIGASHIHARA					
FRAME SIZE VTFOAF (H) -FF300 (160L)						