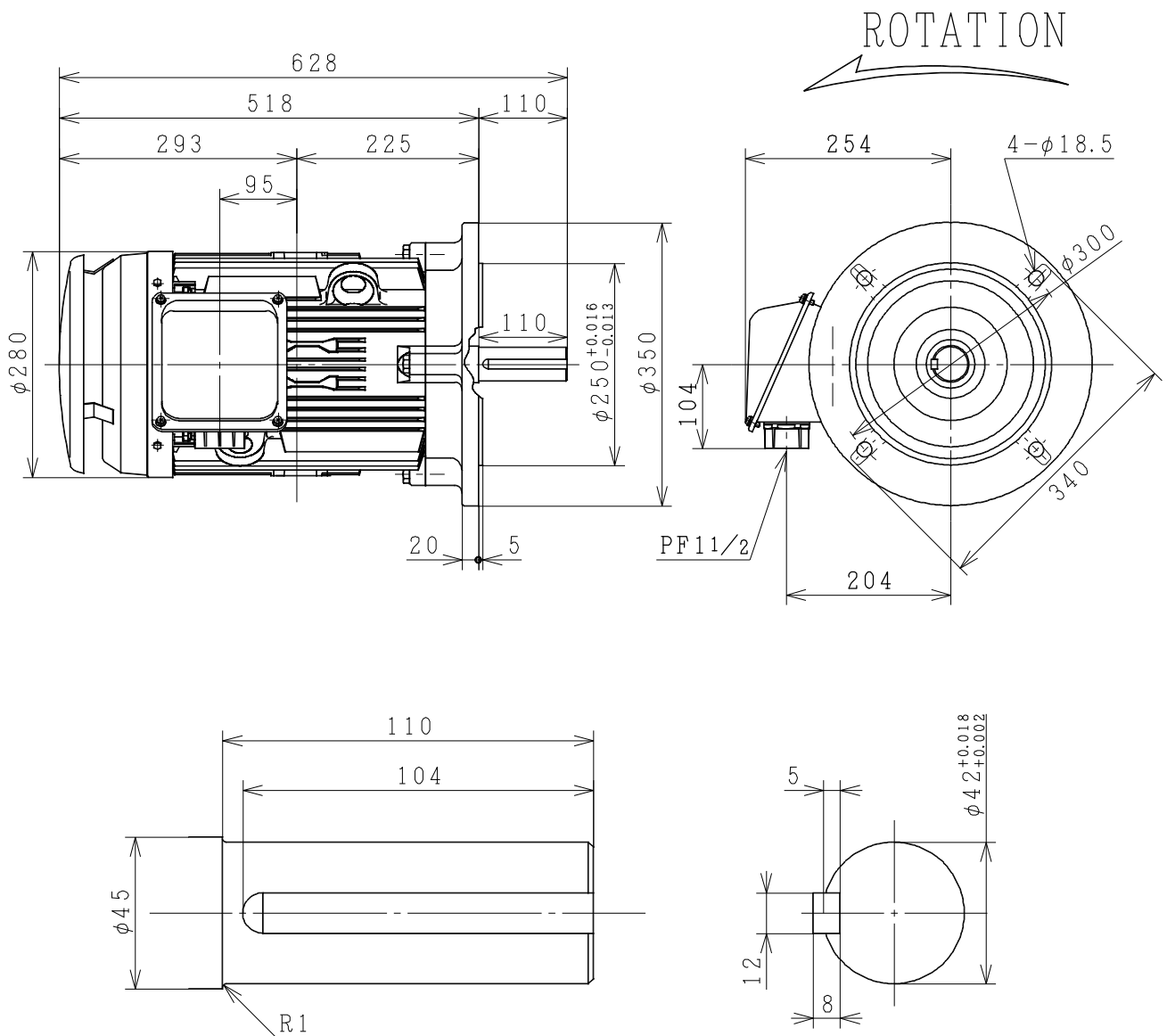


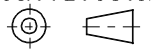
THREE-PHASE INDUCTION MOTOR

OUTPUT	TYPE	FORM	RATING	VOLTAGE (V)	FREQ. (Hz)	SYNC. SPEED (min ⁻¹)	POLES	INS. CLASS	MASS (kg)
15HP	VTFO	HKK	S1	380/415	50	3000	2	F	80
20HP	VTFO	HKK	S1	380/415	50	3000	2	F	89
15HP	VTFO	HKK	S1	380/415	50	1500	4	F	80
10HP	VTFO	HKK	S1	380/415	50	1000	6	F	81



PROTECTION: IP55

PROJECTION



CUSTOMER			QTY.	ORDER No.	WORK No.	REV.	
DWN.	P. Tianchai	23-Apr-14	<div style="display: flex; justify-content: space-around; align-items: center;"> <div style="font-size: 2em; font-weight: bold;">DIMENSIONS</div> <div style="text-align: center;"> HITACHI <small>Hitachi Industrial Technology (Thailand), Ltd.</small> </div> </div>			SH.	
CHKD.	N. WICHARN	S				HITT WORKS DWG. No.	4HTD02860
APPD.	M. HIGASHIHARA						
FRAME SIZE VTFOAF (H) -FF300 (160M)							