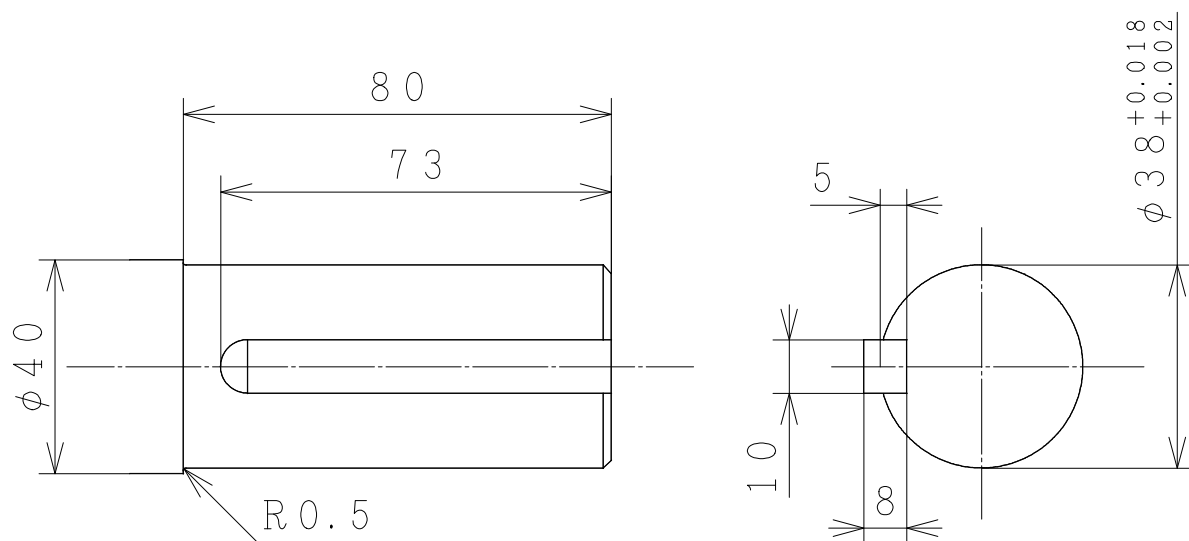
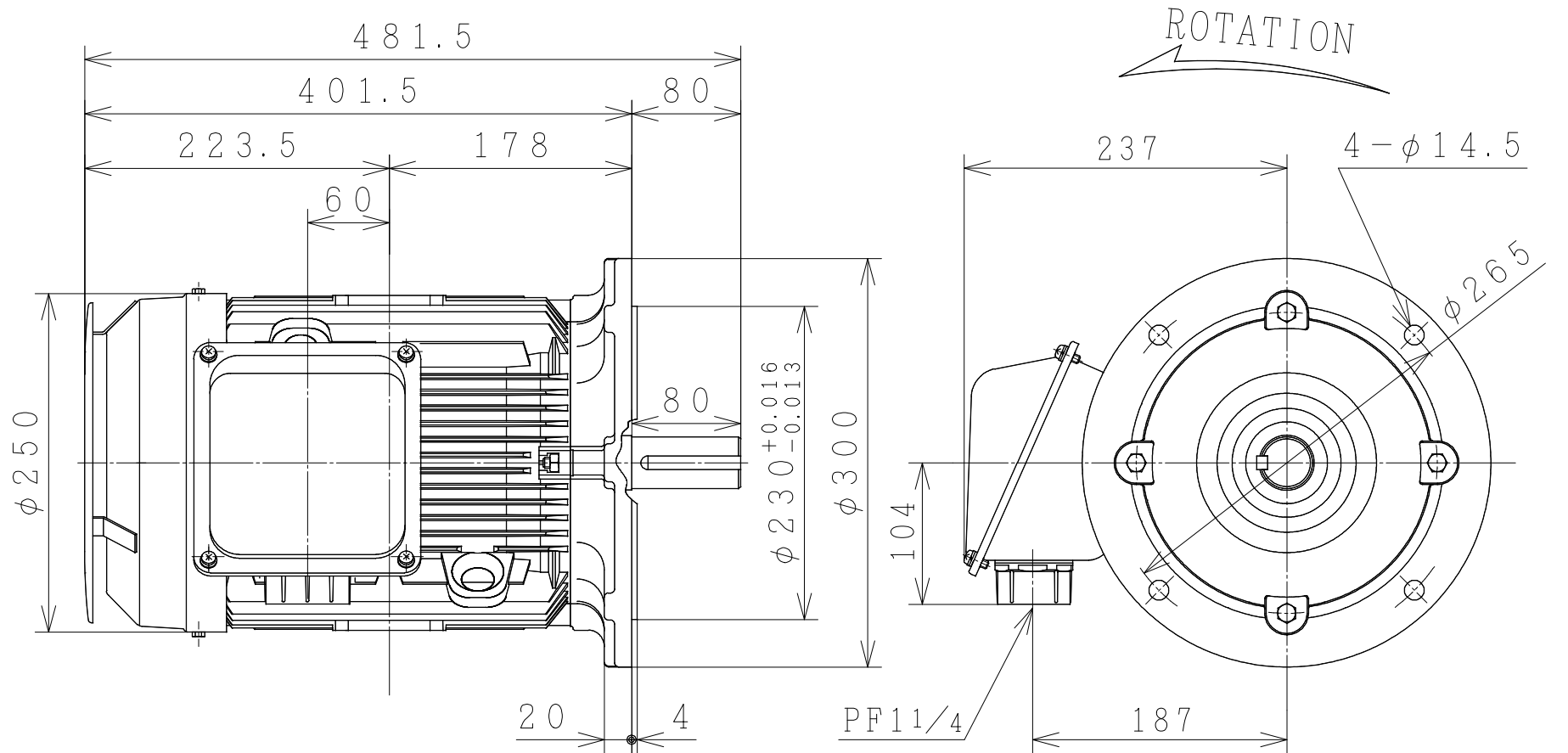


THREE-PHASE INDUCTION MOTOR

OUTPUT	TYPE	FORM	RATING	VOLTAGE (V)	FREQ. (Hz)	SYNC. SPEED (min ⁻¹)	POLES	INS. CLASS	MASS (kg)
10HP	VTFO	HKK	S1	380/415V	50	1500	4	F	52
7.5HP	VTFO	HKK	S1	380/415V	50	1000	6	F	48



PROTECTION: IP55

PROJECTION

CUSTOMER			QTY.	ORDER No.	WORK No.	REV.
DWN.	P. Tianchai	23-Apr-14	<div style="display: flex; align-items: center; justify-content: center;"> <div style="text-align: center;"> <h2 style="margin: 0;">DIMENSIONS</h2> <p style="font-size: small; margin: 0;">Hitachi Industrial Technology (Thailand), Ltd.</p> </div> </div>		HITT WORKS DWG. No.	SH.
CHKD.	N. WICHARN	}			4HTD02859	
APPD.	M. HIGASHIHARA					
FRAME SIZE VTFOAF (H) -FF265 (132M)						