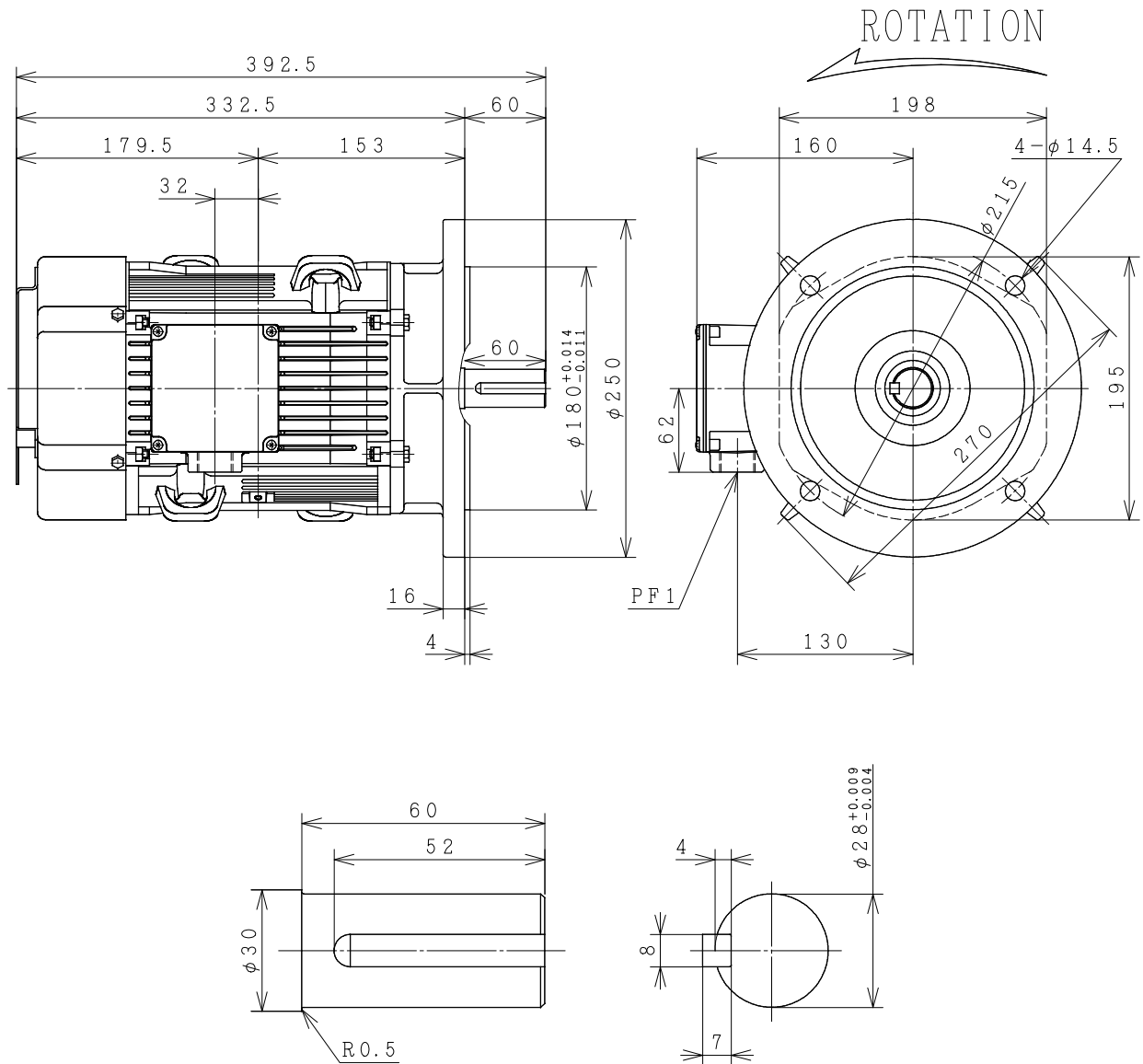
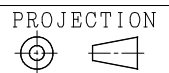


THREE-PHASE INDUCTION MOTOR

| OUTPUT | TYPE | FORM | RATING | VOLTAGE (V) | FREQ. (Hz) | SYNC. SPEED (min ⁻¹) | POLES | INS. CLASS | MASS (kg) |
|--------|------|------|--------|-------------|------------|----------------------------------|-------|------------|-----------|
| 3HP | VTFO | HK | S1 | 220/380 | 50 | 1500 | 4 | F | 32.5 |
| 2HP | VTFO | HK | S1 | 220/380 | 50 | 1000 | 6 | F | 35 |



PROTECTION: IP55



| | | | | | | | | |
|-------------------------------------|-------------|---|------------|-----------|---|------|---------------------|-----|
| CUSTOMER | | | QTY. | ORDER No. | WORK No. | REV. | | |
| DWN. P. Tianchai | 23-Apr-2014 | S | DIMENSIONS | | HITACHI <small>Hitachi Industrial Technology (Thailand), Ltd.</small> | | | |
| CHKD. N. WICHARN | | | | | | | HITT WORKS DWG. No. | SH. |
| APPD. M. HIGASHIHARA | | | | | | | 4HTD02856 | |
| FRAME SIZE VTFOAF (H) -FF215 (100L) | | | | | | | | |