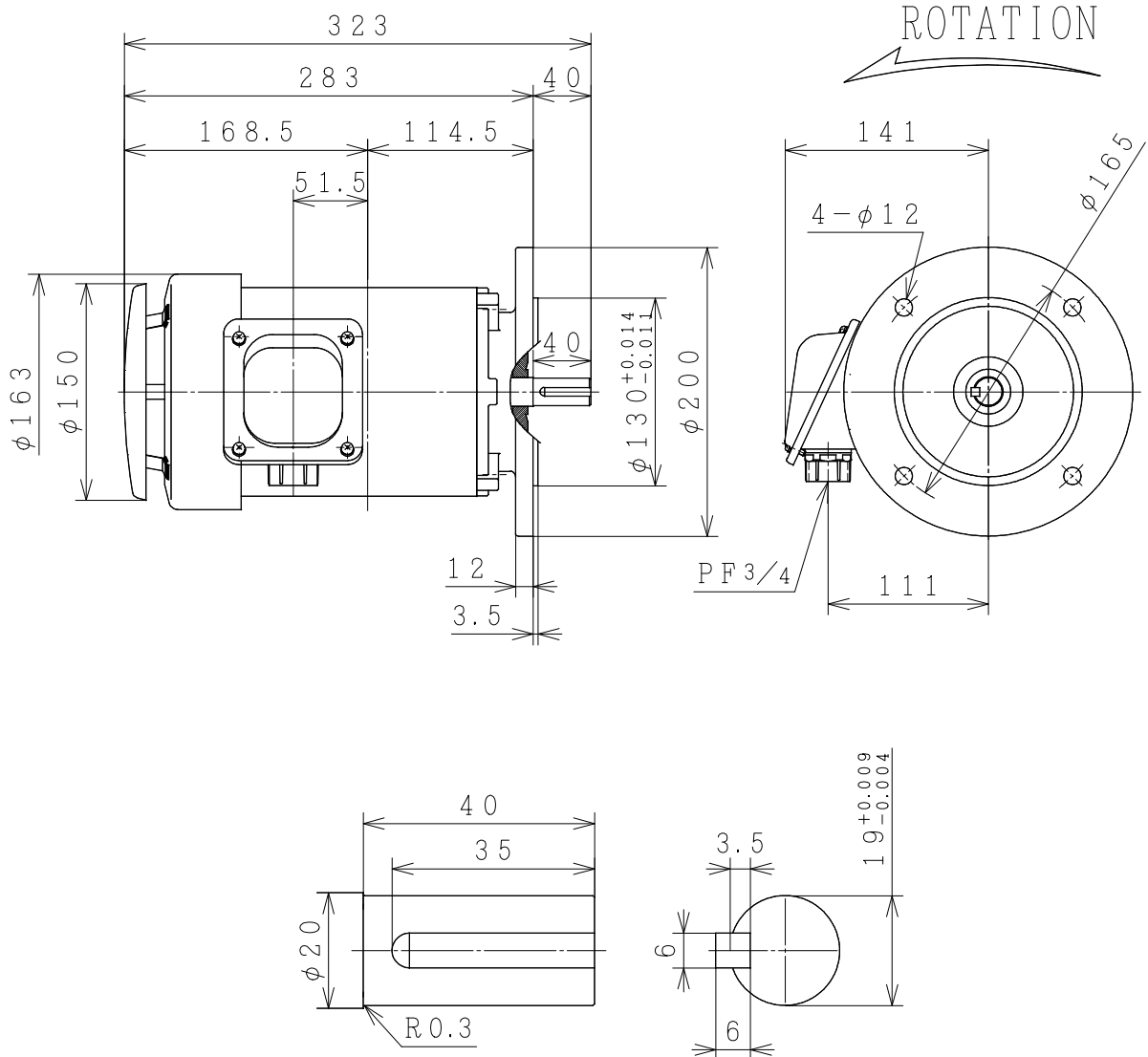


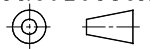
THREE-PHASE INDUCTION MOTOR

OUTPUT	TYPE	FORM	RATING	VOLTAGE (V)	FREQ. (Hz)	SYNC. SPEED (min ⁻¹)	POLES	INS. CLASS	MASS (kg)
1 HP	VTFO	HK	S 1	220/380	50	1500	4	F	17
1/2HP	VTFO	HK	S 1	220/380	50	1000	6	F	14



PROTECTION: IP55

PROJECTION



CUSTOMER			QTY.	ORDER No.	WORK No.	REV.
DWN.	P. Tianchai	23-Apr-2014	<div style="display: flex; justify-content: space-around; align-items: center;"> <div style="font-size: 2em; font-weight: bold;">DIMENSIONS</div> <div style="text-align: center;"> <small>Hitachi Industrial Technology (Thailand), Ltd.</small> </div> <div style="font-size: 1.5em; font-weight: bold;">4HTD02854</div> </div>			SH.
CHKD.	N. WICHARN	}				HITT WORKS DWG. No.
APPD.	M. HIGASHIHARA					
FRAME SIZE VTFOAF (H) -FF165 (80M)						