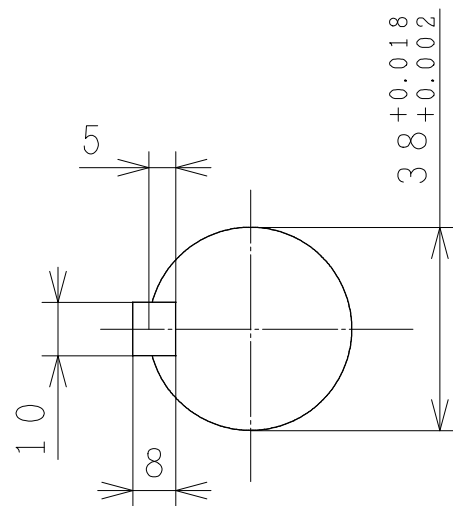
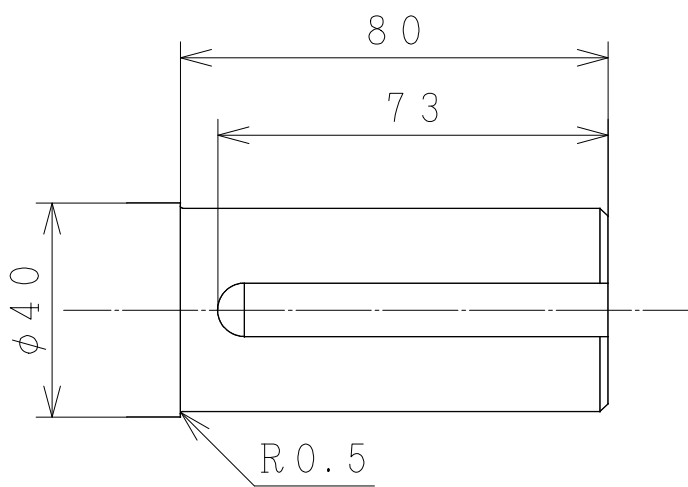
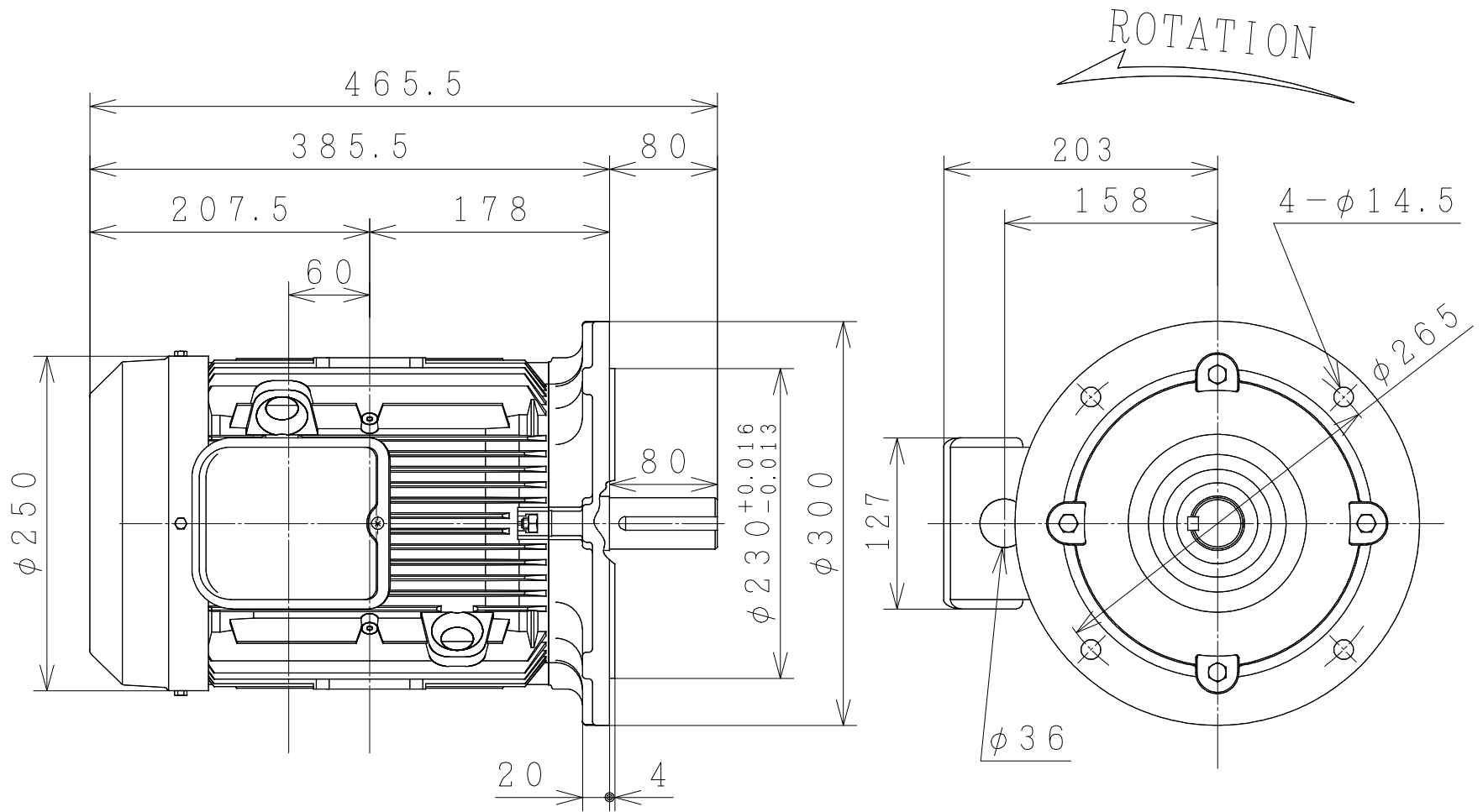
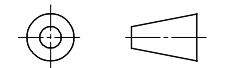


# THREE-PHASE INDUCTION MOTOR

OUTPUT	TYPE	FORM	RATING	VOLTAGE (V)	FREQ. (Hz)	SYNC. SPEED (min <sup>-1</sup> )	POLES	INS. CLASS	MASS (kg)
10HP	VTFO	HKK	S1	380/415V	50	1500	4	B	52
7.5HP	VTFO	HKK	S1	380/415V	50	1000	6	B	48



PROJECTION



CUSTOMER			QTY.	ORDER No.	WORK No.	REV.
DWN.	P. Tianchai	03-AUG-2015	<div style="font-size: 2em; font-weight: bold;">DIMENSIONS</div> <div style="font-weight: bold; margin-top: 5px;">HITACHI</div> <small>Hitachi Industrial Technology (Thailand), Ltd.</small>		HITT WORKS DWG. No.	SH.
CHKD.	N. WICHARN	S			4HTD02851	
APPD.	M. HIGASHIHARA					
FRAME SIZE VTFOF (H) -FF265 (132M)						