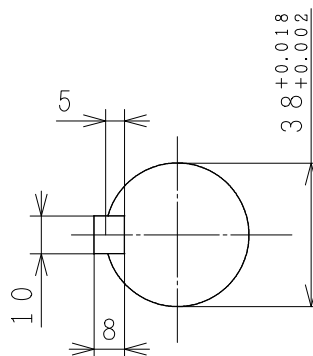
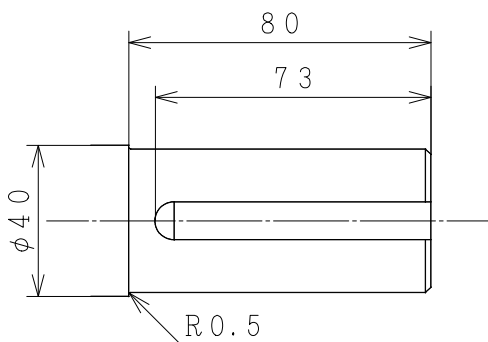
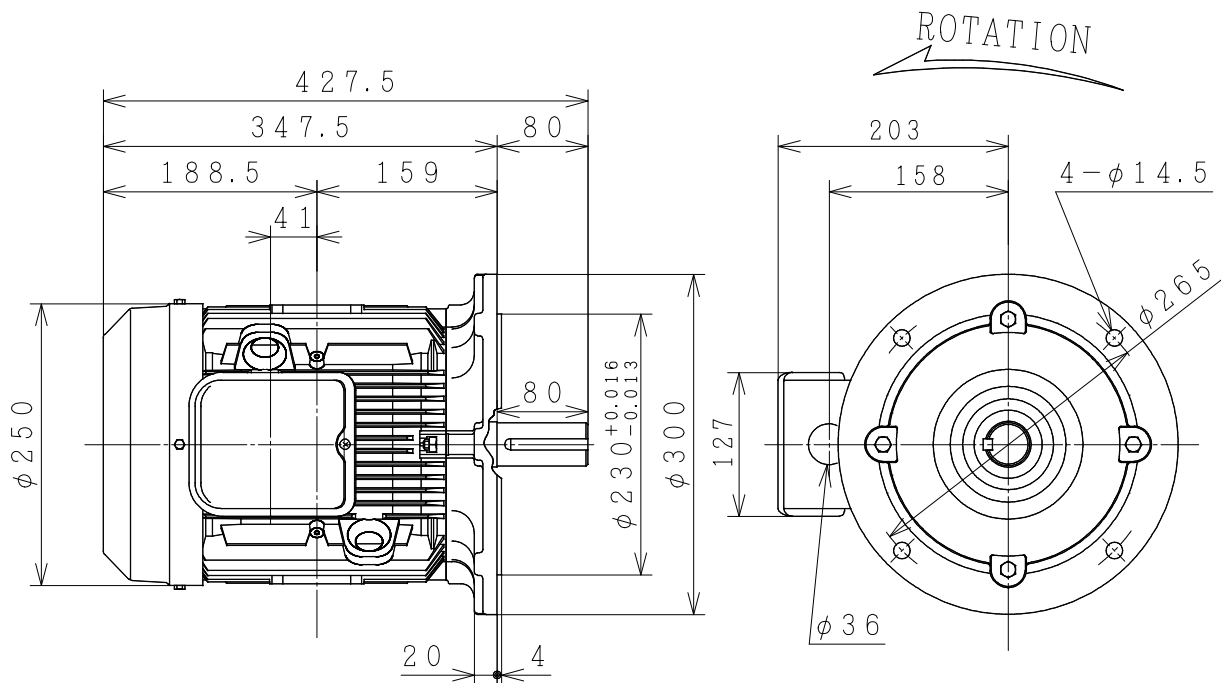


THREE-PHASE INDUCTION MOTOR

OUTPUT	TYPE	FORM	RATING	VOLTAGE (V)	FREQ. (Hz)	SYNC. SPEED (min ⁻¹)	POLES	INS. CLASS	MASS (kg)
7.5HP	VTFO	HKK	S1	380/415	50	3000	2	B	48
10HP	VTFO	HKK	S1	380/415	50	3000	2	B	49
7.5HP	VTFO	HKK	S1	380/415	50	1500	4	B	48
5HP	VTFO	HK	S1	380/415	50	1000	6	B	51



PROJECTION

CUSTOMER			QTY.	ORDER No.	WORK No.	REV.	
DWN.	P. Tianchai	03-AUG-2015	<div style="display: flex; justify-content: space-around; align-items: center;"> <div style="font-size: 2em; font-weight: bold;">DIMENSIONS</div> <div style="text-align: center;"> HITACHI <small>Hitachi Industrial Technology (Thailand), Ltd.</small> </div> <div style="font-size: 1.2em; font-weight: bold;">4HTD02850</div> </div>			HITT WORKS DWG. No.	SH.
CHKD.	N. WICHARN	S					
APPD.	M. HIGASHIHARA						
FRAME SIZE VTFOF (H) -FF265 (132S)							