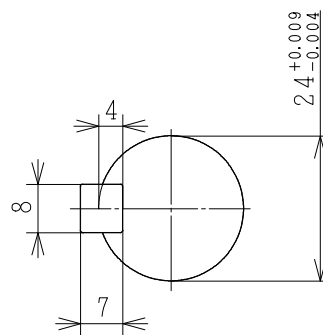
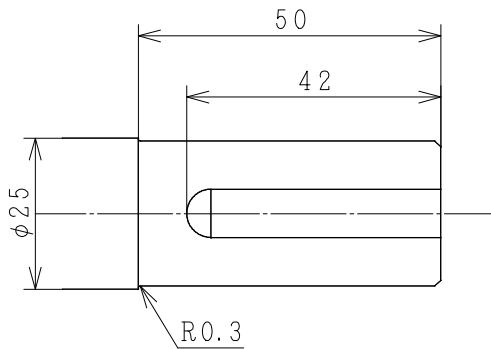
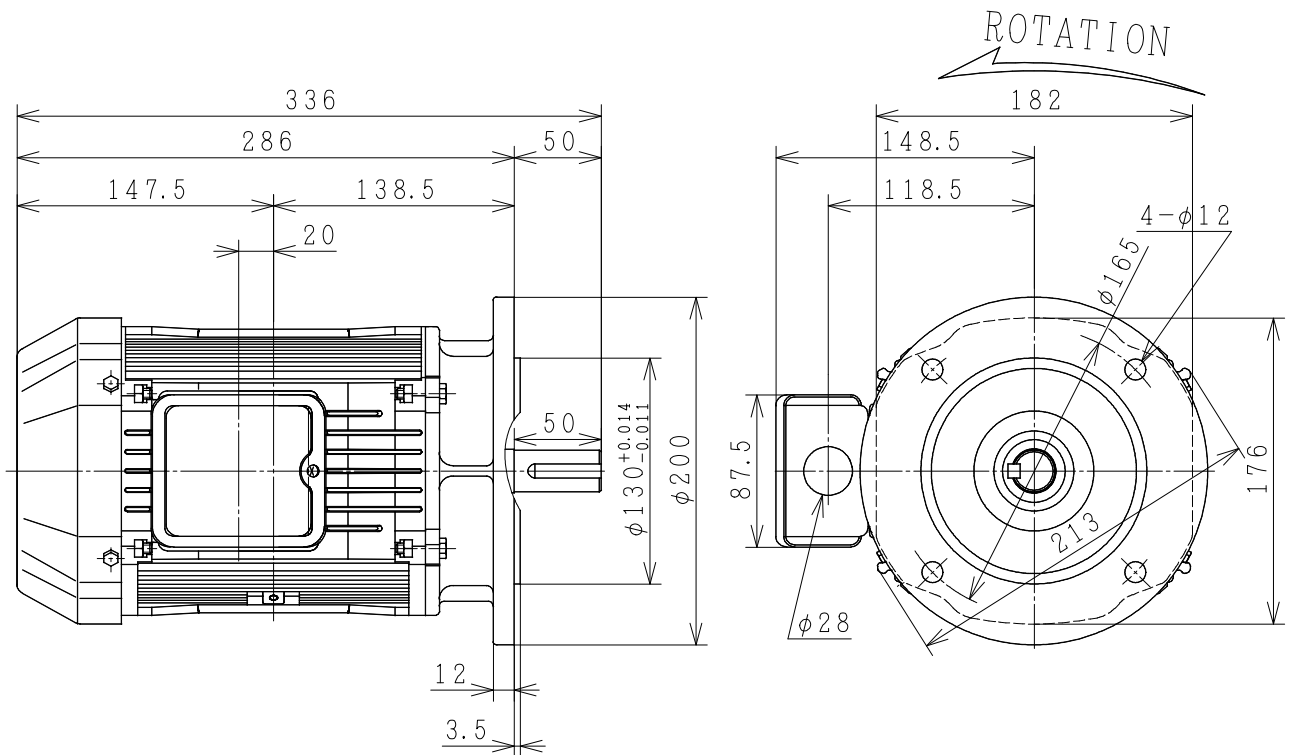
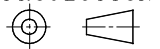


# THREE-PHASE INDUCTION MOTOR

OUTPUT	TYPE	FORM	RATING	VOLTAGE (V)	FREQ. (Hz)	SYNC. SPEED (min <sup>-1</sup> )	POLES	INS. CLASS	MASS (kg)
2HP	VTFO	HK	S1	220/380	50	3000	2	B	19.0
3HP	VTFO	HK	S1	220/380	50	3000	2	B	22.5
2HP	VTFO	HK	S1	220/380	50	1500	4	B	21.5
1HP	VTFO	HK	S1	220/380	50	1000	6	B	23.0



PROJECTION



CUSTOMER			QTY.	ORDER No.	WORK No.	REV.	
DWN.	P. Tianchai	23-April-2014	<div style="display: flex; justify-content: space-around; align-items: center;"> <div style="font-size: 2em; font-weight: bold;">DIMENSIONS</div> <div style="text-align: center;"> <b>HITACHI</b>  <small>Hitachi Industrial Technology (Thailand), Ltd.</small> </div> </div>			HITT WORKS DWG. No.	SH.
CHKD.	N. WICHARN	S				4HTD02847	
APPD.	T. SHIMOSONO						
FRAME SIZE VTFOF (H) -FF165 (90L)							