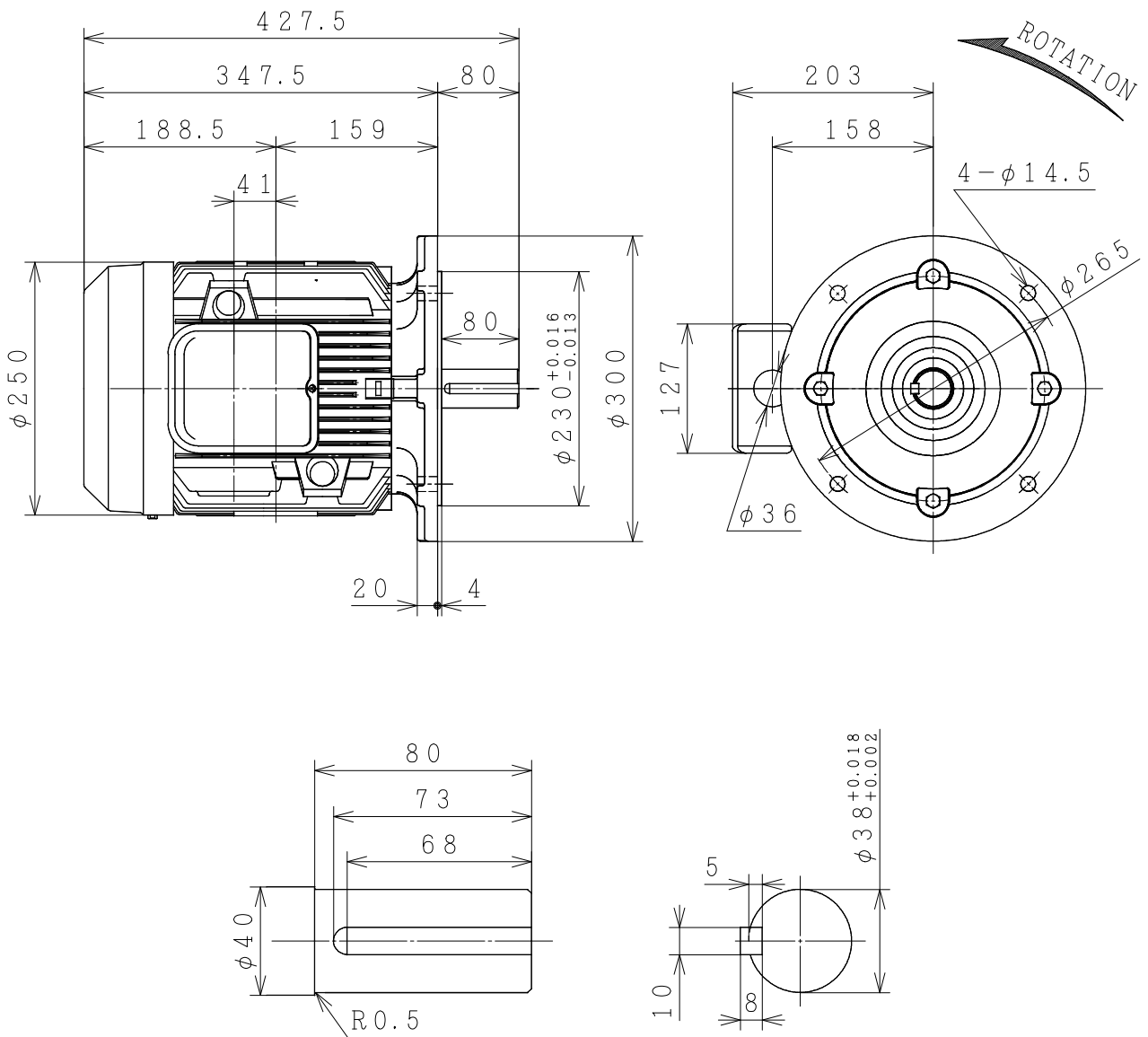
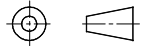


THREE-PHASE INDUCTION MOTOR

OUTPUT	TYPE	FORM	RATING	VOLTAGE (V)	FREQ. (Hz)	SYNC. SPEED (min ⁻¹)	POLES	INS. CLASS	MASS (kg)
7.5 HP	VTFO	KK	S 1	380/415	50	3000	2	B	43
10 HP	VTFO	KK	S 1	380/415	50	3000	2	B	48
7.5 HP	VTFO	KK	S 1	380/415	50	1500	4	B	44
5 HP	VTFO	KK	S 1	220/380	50	1000	6	B	45



PROJECTION



CUSTOMER			QTY.	ORDER No.	WORK No.	REV.	
DWN.	W. KANCHIT	28-06-13	<div style="display: flex; justify-content: space-around; align-items: center;"> <div style="font-size: 2em; font-weight: bold;">DIMENSIONS</div> <div style="text-align: center;"> HITACHI <small>Hitachi Industrial Technology (Thailand), Ltd.</small> </div> <div style="font-size: 1.5em; font-weight: bold;">4HTD02595</div> </div>			HITT WORKS DWG. No.	SH.
CHKD.	W. Thawat	}					
APPD.	T. Shimozone						
FRAME SIZE			VTFOF (D) -132S (TMLD)				