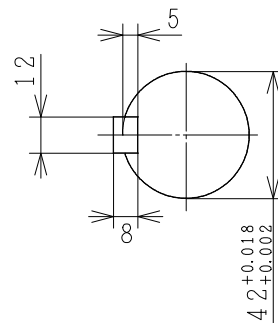
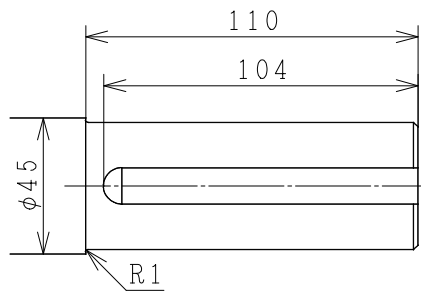
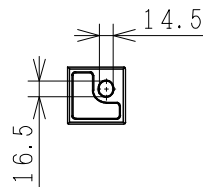
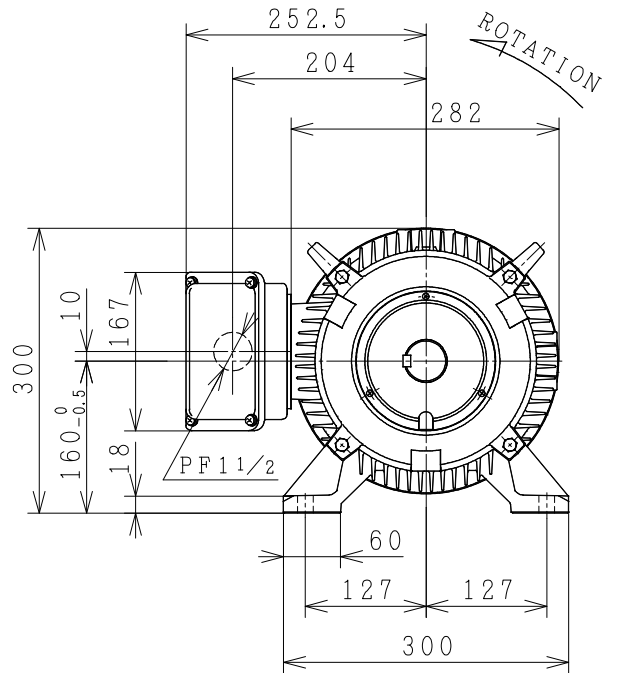
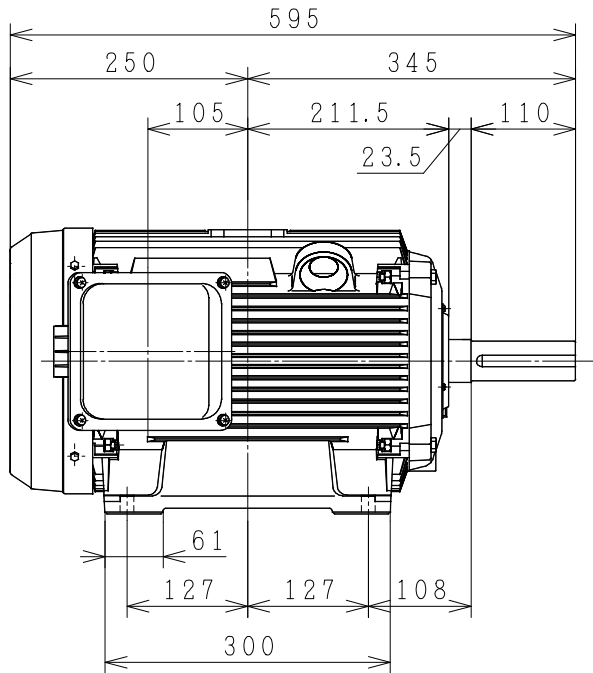
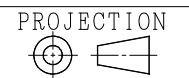


# THREE-PHASE INDUCTION MOTOR

OUTPUT	TYPE	FORM	RATING	VOLTAGE (V)	FREQ. (Hz)	SYNC. SPEED (min <sup>-1</sup> )	POLES	INS. CLASS	MASS (kg)
25HP	TFO	HKK	S1	380/415V	50	3000	2	F	90
20HP	TFO	HKK	S1	380/415V	50	1500	4	F	89
15HP	TFO	HKK	S1	380/415V	50	1000	6	F	85



PROTECTION: IP55



CUSTOMER			QTY.	ORDER NO.	WORK NO.	REV.
DWN	N. WICHARN	02-Jul-2012				SH.
CHKD	M. HIGASHIHARA	S	DIMENSIONS		<b>HITACHI</b> Hitachi Industrial Technology (Thailand), Ltd.	4HTD02245
APPD	M. HIGASHIHARA		FRAME SIZE	TFOH-160L (TMLR)		